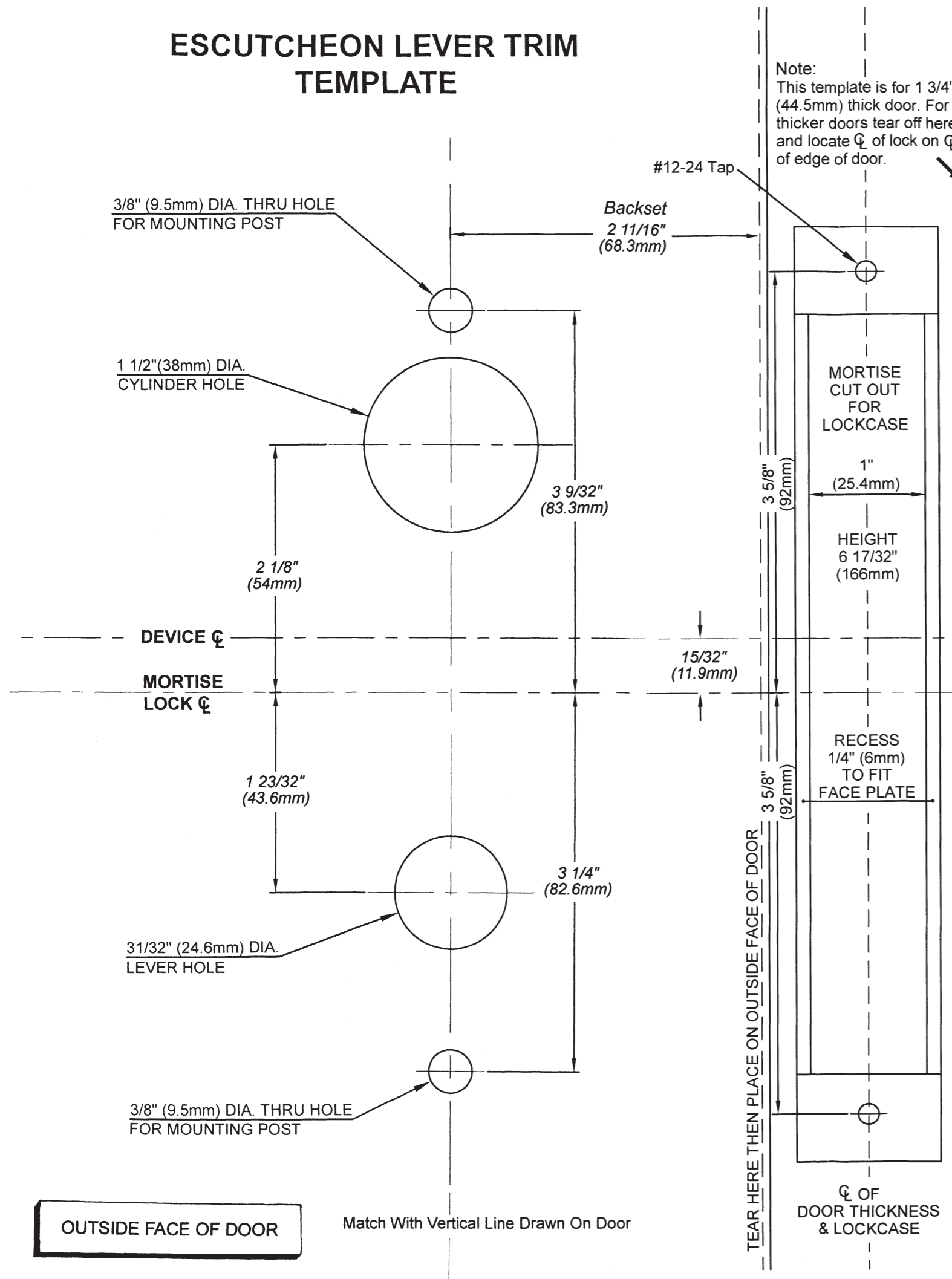
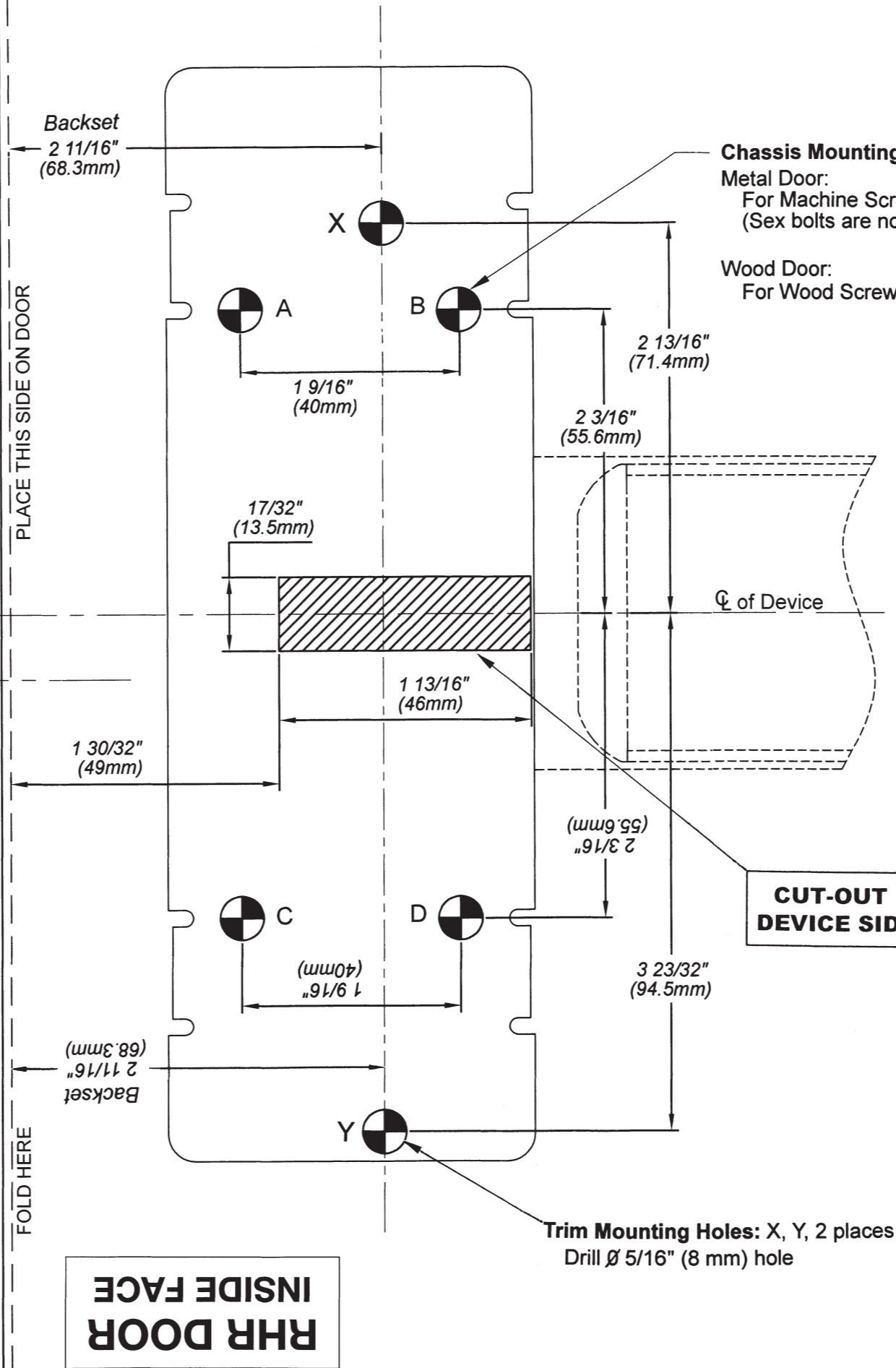


ESCUTCHEON LEVER TRIM TEMPLATE



Note:
This template is for 1 3/4" (44.5mm) thick door. For thicker doors tear off here and locate \varnothing of lock on \varnothing of edge of door.

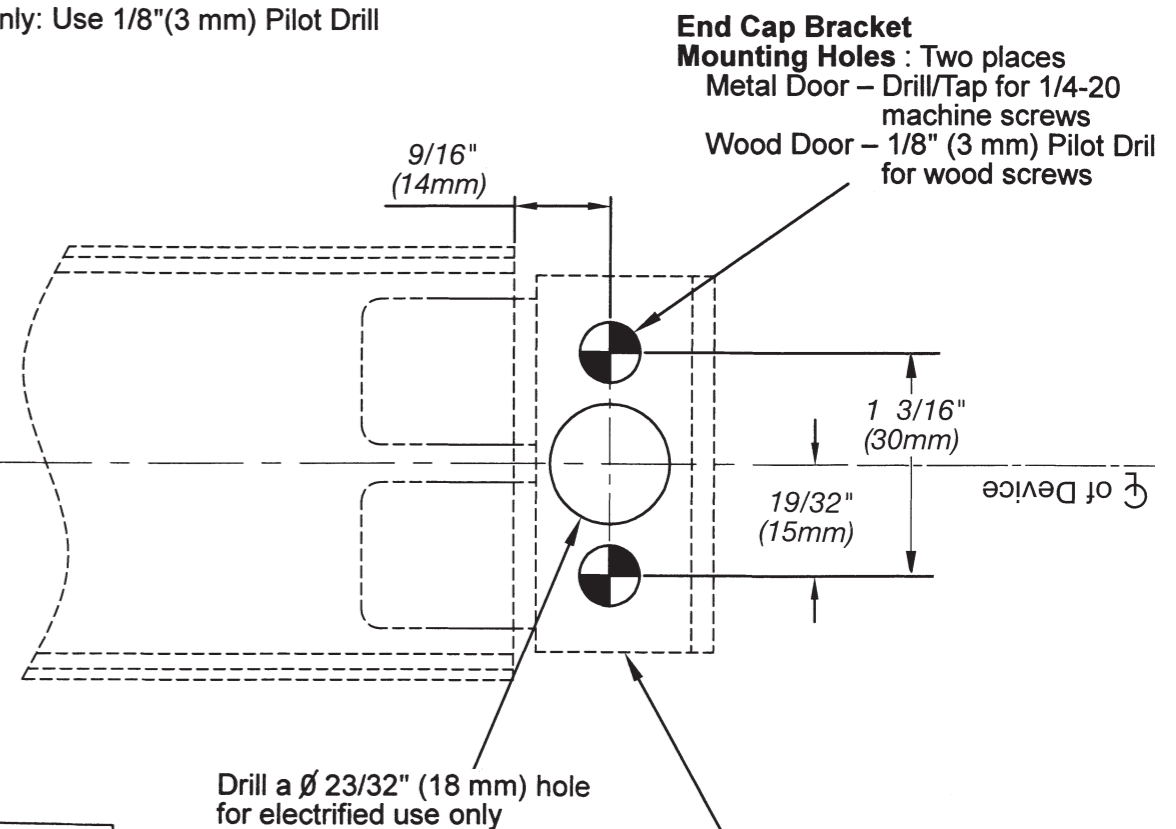
LHR DOOR INSIDE FACE



GRADE 1 WIDE STILE MORTISE LOCK EXIT DEVICE TEMPLATE

(FOR PANIC AND FIRE RATED DEVICES)

REV: 02, 10/2017



NOTE:

1. Use provided mounting screws to install the device chassis on A, B, C, D four (4) mounting holes.
2. X, Y two (2) mounting holes are used for Escutcheon Lever Trim.
3. Device horizontal centerline is 40" above the finished floor.
4. If a different outside trim is used with this device, please refer to that template
5. This side up is for LHR door application, RHR door application is rotated 180°