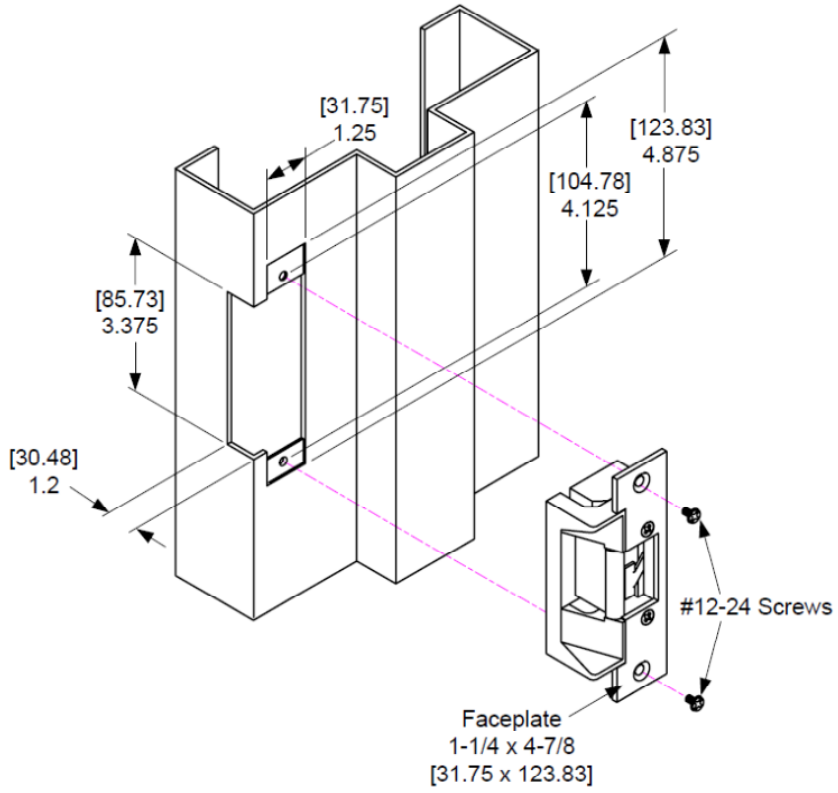
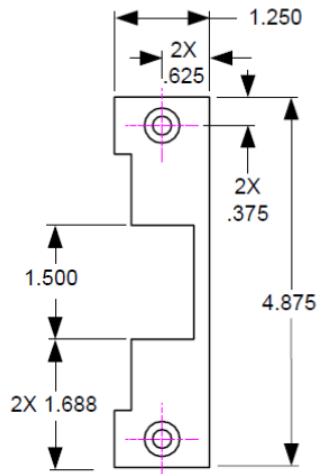


TEMPLATE FOR ES-200 ELECTRIC STRIKE

Typical Hollow Metal Frame



HOLLOW METAL SQUARE CONRER FACTPLATE



MATERIAL THICKNESS = .110