

**TEMPLATE
PT-5 CONCEALED POWER TRANSFER**

NOTE: Due to various manufacturing techniques, these dimensions may fluctuate slightly. The field installer should double check these dimensions against the actual component.

**FRAME
PREPARATION**

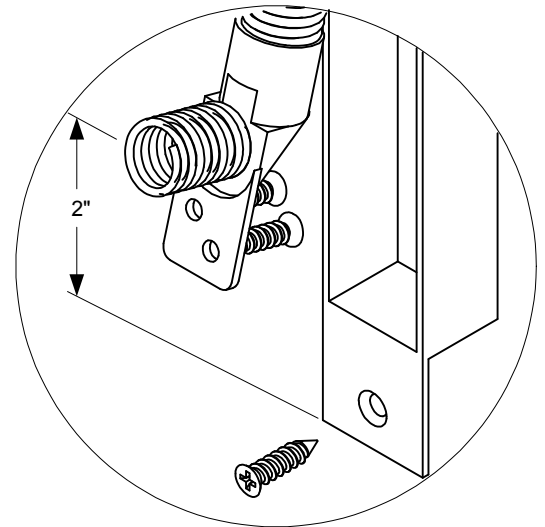
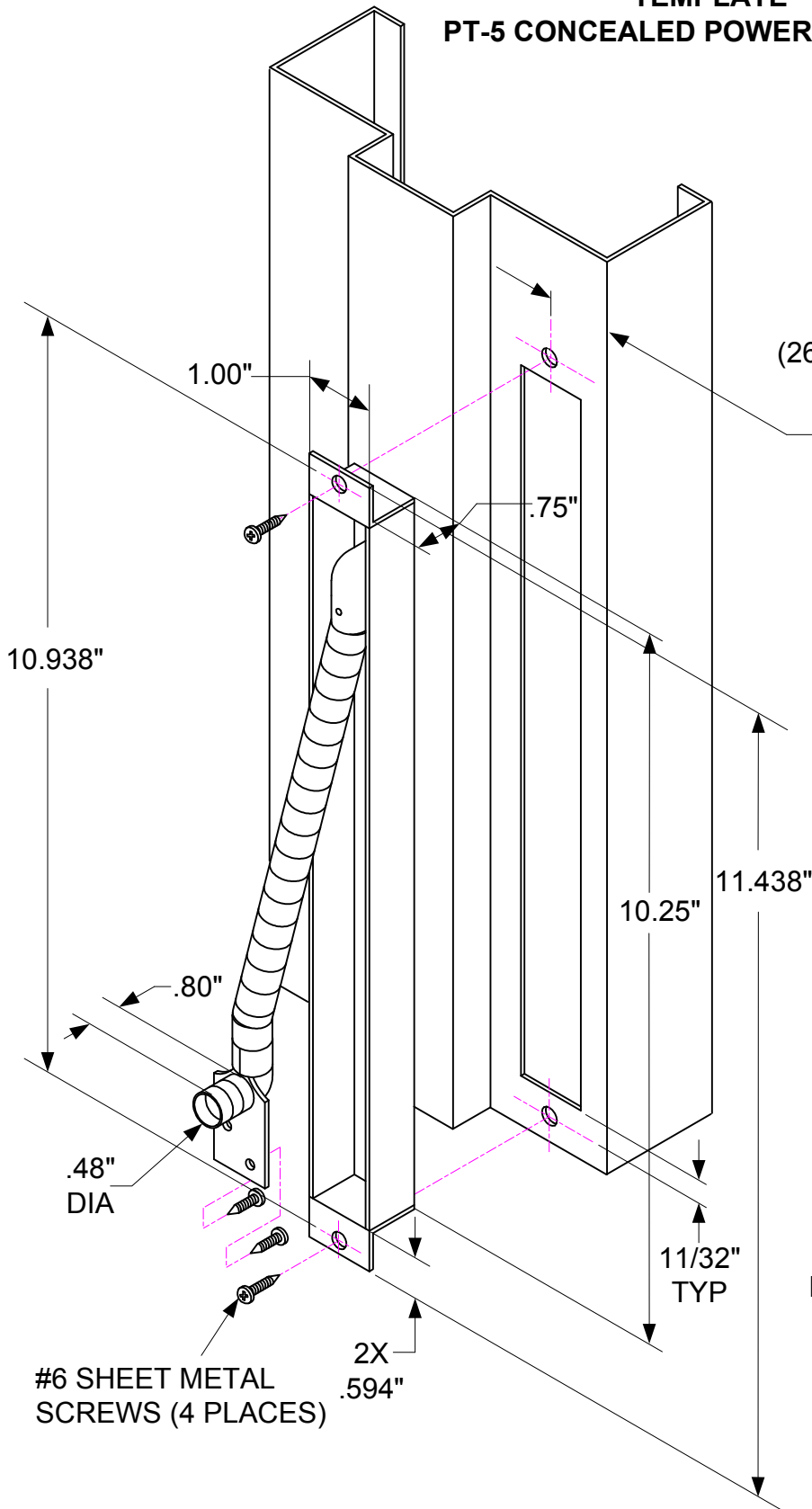
10.25" L x 1.00" W x .75" D
(260.35mm L x 25.4mm W x 19.05mm D)

7/8" FROM OUTSIDE
FACE OF DOOR

**DOOR
PREPARATION**

.50" DIA. HOLE x .80" DEPTH
(12.7mm DIA HOLE x 20.32mm DEPTH)

NOTE: ACCEPTS JACKETED CABLE
UP TO 5/16" DIAMETER



FOR WOOD AND METAL DOORS AND
FRAMES. INTENDED FOR DOOR
OPENINGS LESS THAN 120°. NOT INTENDED FOR CENTER HUNG
DOOR APPLICATIONS