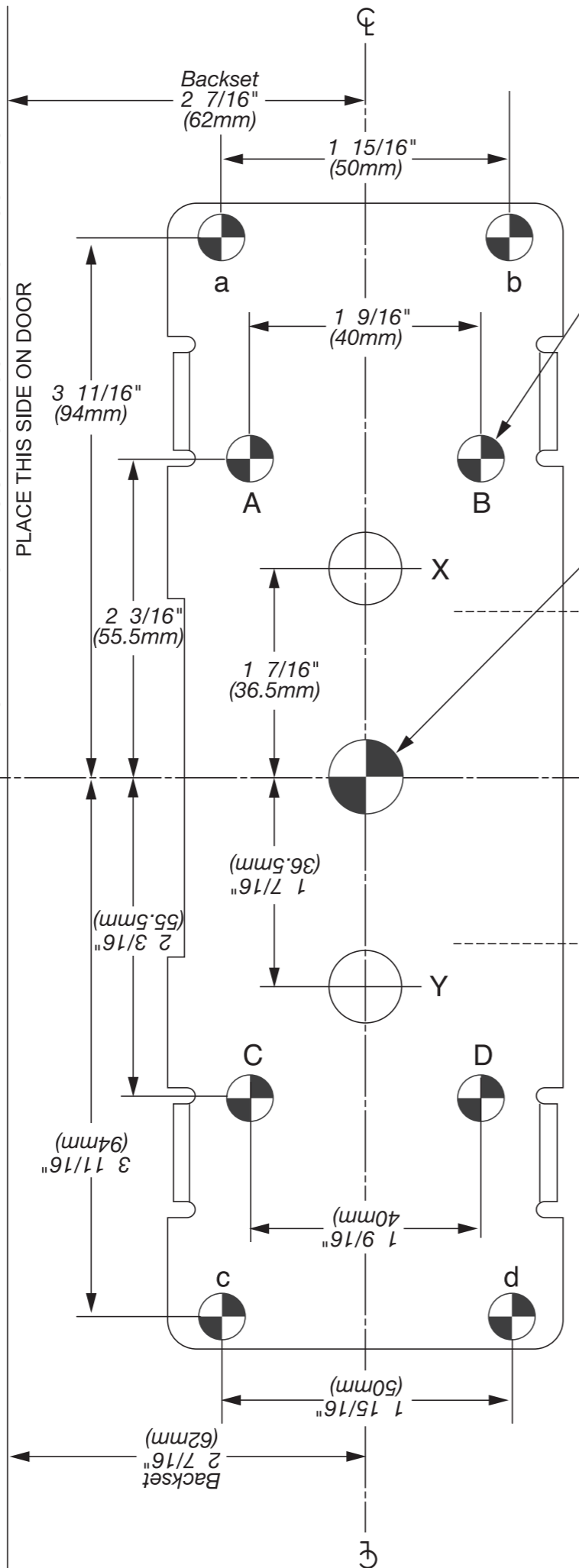


**LHR DOOR
INSIDE FACE**

GRADE 1 SVR EXIT DEVICE CHASSIS TEMPLATE FOR USE WITH SVR & LBR DEVICES

(FOR PANIC AND FIRE RATED DEVICES)

REV : 01,01/2011



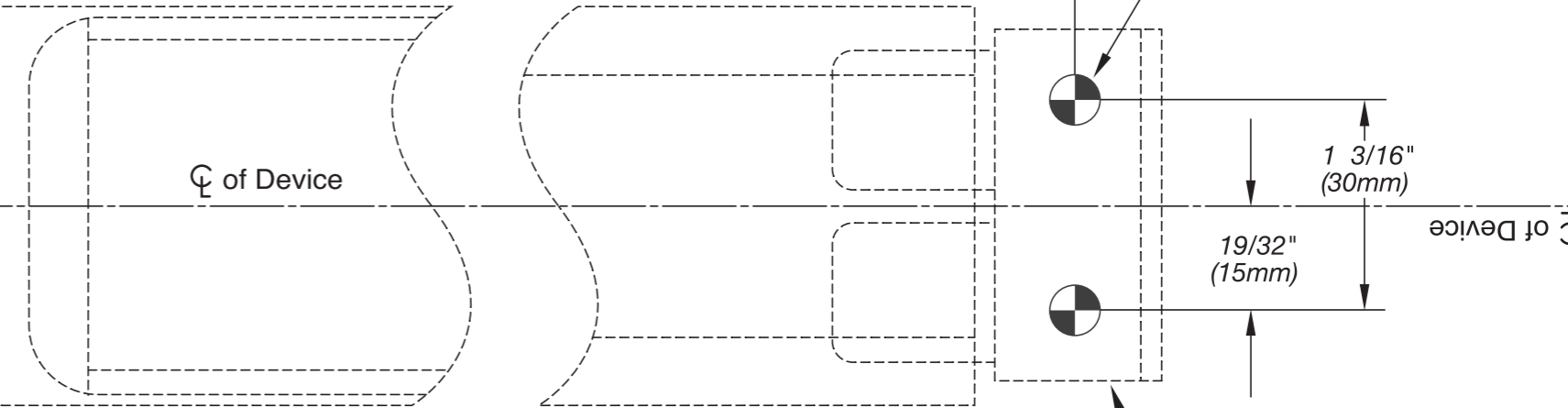
Mounting Holes : A,B,C,D 4 places

Metal Door :
 For Mounting Screws – Drill/Tap for 1/4-20 machine screws
 For Sex Bolts – Drill \varnothing 5/16" (8 mm) holes inside
 Drill \varnothing 13/32" (10 mm) holes outside
 For Trim – Drill \varnothing 5/16" (8 mm) holes inside
 Drill \varnothing 1/2" (13 mm) holes outside

Wood Door :
 For Sex Bolts only – Drill \varnothing 13/32" (10 mm) through holes
 For Trim – Drill \varnothing 1/2" (13 mm) through holes

Trim Actuating Shaft Hole :
 Drill \varnothing 1/2" (13 mm) through hole for BE & CE trims
 For NL trim hole requirement, see its template
 (Not required for dummy trim)

2 Mounting Holes :
 Metal Door – Drill/Tap for #12-24 machine screws
 Wood Door – 1/8" (3 mm) Pilot Drill for wood screws



Mark mounting holes through end cap bracket after device is cut and level.

NOTE:

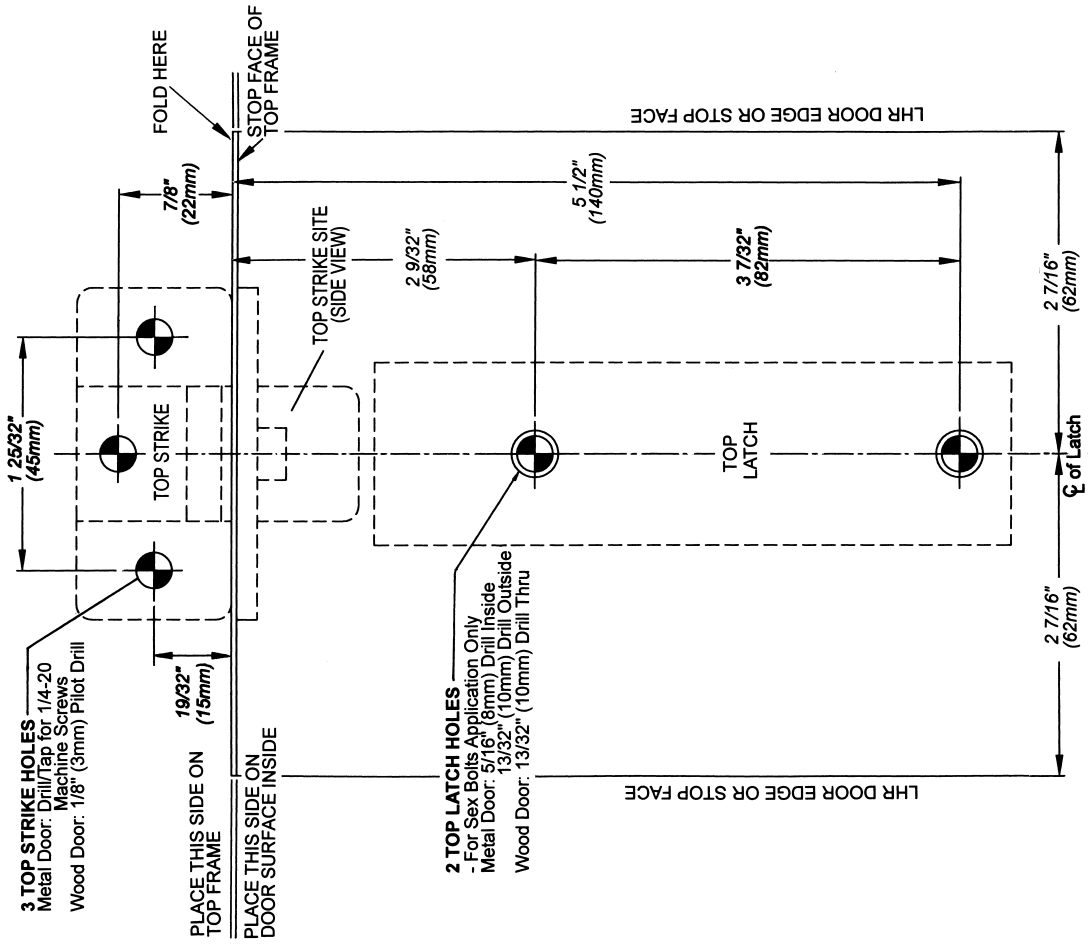
1. a, b, c, d 4 mounting holes are used for heavy-duty (Grade 1) Escutcheon Lever Trim, X, Y two mounting holes are used for light-duty (Grade 2) Escutcheon Lever Trim. For other type of trim, please refer to its template to meet appropriate mounting holes.
2. If device doesn't use a trim, use A, B, C, D 4 mounting holes to install the device chassis.
3. Device horizontal centerline to be 40" from finished floor.
4. Gap of 1/4" (6 mm) between door bottom edge and finished floor is required.
5. Glass bead kit available when required, it is sold separately.
6. This side up is for LHR door application, RHR door application is rotated 180°.

**RHR DOOR
INSIDE FACE**

GRADE 1 SVR EXIT DEVICE LATCH TEMPLATE

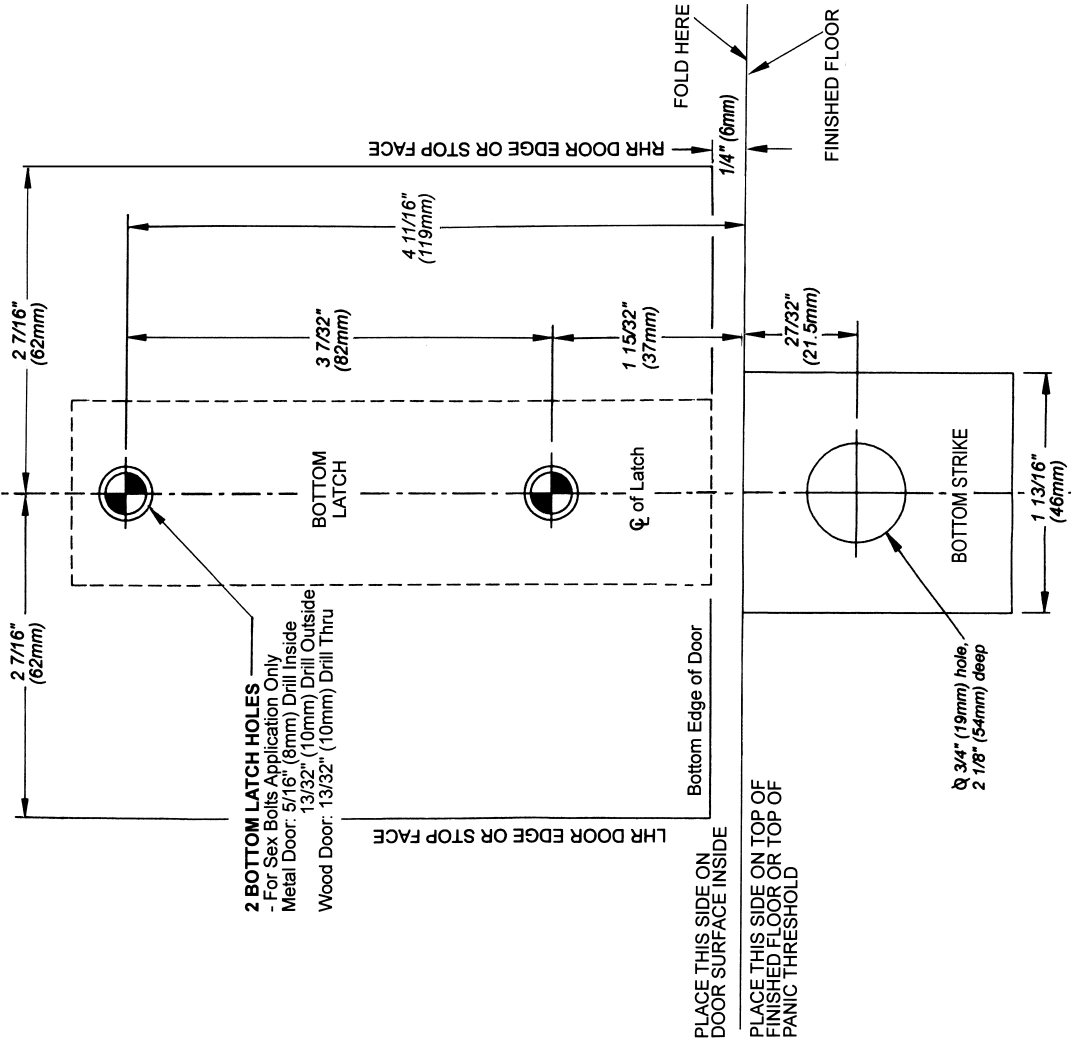
(FOR PANIC AND FIRE RATED DEVICES)

TOP LATCH TEMPLATE



BOTTOM LATCH TEMPLATE

(NOT REQUIRED FOR LBR DEVICE)



CUT HERE TO SEPARATE TOP TEMPLATE AND BOTTOM TEMPLATE

NOTE:
 This top template is not available for 10 foot fire rated SVR exit device use.
 For 10 ft. tall fire door application, see its template shown on the instructions.