

Davidson FYNC Series



FEATURES & OPTIONS

Latch Backset

Exterior: 2-3/4" UL deadlatch standard
Interior: 2-3/4" UL plainlatch standard
(other options available)

Faceplate

1-1/8" x 2-1/4" square corner standard
(other options available)

Bolt

1/2" throw

Door Thickness

Fit 1-3/8" to 1-13/16" standard

Cylinder

6-pin SC "C" keyway solid brass cylinder standard

Also available in:

5-pin KW keyway

6-pin small format interchangeable core

Strike Plate

4-7/8" x 1-1/4" ASA strike standard
(other options available)

Handing

Reversible for left or right hand doors

SPECIFICATIONS

Lockset: Lock or latchset shall be by **PAMEX** model # **FYNC Series**. All locks shall be non-handed and provide with 3 hour rated solid brass plain or deadlatch. Lock chassis shall have heavy duty lever spring return rose assembly and thru bolts for proper installation.

FINISHES

(other finishes available upon request with lead-time)

US10B – 613 – Oil Rubbed Bronze

US15 – 619 – Satin Nickel

CODE COMPLIANCE

- Meets ANSI/BHMA A156.2, Series 4000, Grade 2
- Meets ADA Requirements
- UL 3-Hour Fire Rated

WARRANTY

- Lifetime mechanical warranty
- Five years finish warranty



FUNCTIONS

Entry w/ Clutch ⚡

Turn/Push button locking: Pushing button locks outside lever until unlock with key or inside lever is turned. Pushing and Turning inside button locks outside lever requiring use of key to open until button is manually unlocked. Inside lever always free. Outside lever is free turning when in locked position.

Privacy

Outside lever locked by pushing inside pushbutton and unlock by a coin or screwdriver outside. Closing door does release pushbutton. Inside lever always free.

Passage

Both levers always free.

Half Dummy

Single dummy trim for pull only.

Double Dummy

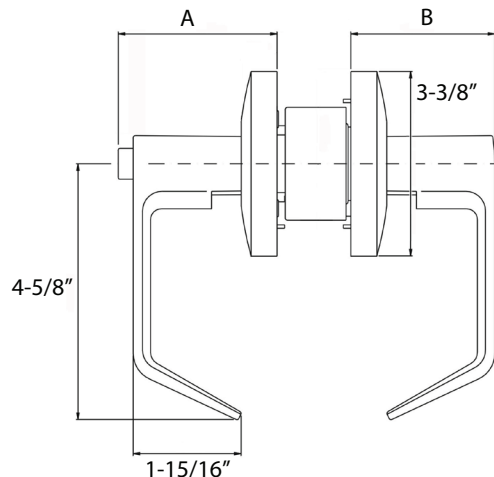
Double dummy trim for both sides of the door.

Storeroom w/ Clutch ⚡

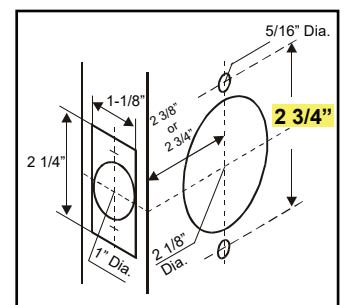
Outside lever always fixed and unlocked by key only. Inside lever always free. Outside lever is free turning when in locked position.

Classroom ⚡

Outside lever locked or unlocked by key. Inside lever always free.



Function	Length (A)	Length (B)
Entry	2-15/16"	2-9/16"
Privacy	2-15/16"	2-9/16"
Passage	2-9/16"	2-9/16"



Davidson series door preparation