

# Alto

## FLF Series



### FEATURES & OPTIONS

#### Door Preparation

Cross Bore: 2-1/8", Edge: 1"

#### Latch Backset

Exterior: 2-3/8" deadlatch standard  
Interior: 2-3/8" plainlatch standard  
(other options available)

#### Faceplate

1" x 2-1/4" round corner standard  
(other options available)

#### Bolt

1/2" throw

#### Door Thickness

Fit 1-3/8" to 1-3/4" standard  
(extension kit available for 1-3/4" to 2-1/4" door)

#### Cylinder

5-pin KW keyway solid brass cylinder standard  
5-pin SC "C" keyway available

#### Strike Plate

2-1/4" x 1-3/4" round corner full lip standard  
(other options available)

#### Handing

Non-Handed

#### Material

Zinc die-cast lever

#### ANSI/BHMA

A 156.2 Grade 3

### FINISHES

(other finishes available upon request with lead-time)

- US15 – 619 – Satin Nickel
- US19 – 622 – Matte Black
- US26 – 625 – Polished Chrome

### CODE COMPLIANCE

#### Meets ADA Requirements

- Entry w/ ADA
- Privacy w/ ADA



ADA

### WARRANTY

- Lifetime mechanical warranty
- Five years finish warranty

### FUNCTIONS

#### Entry

Both lever locked or unlocked by key outside or turn-piece inside.

#### Privacy

Both levers locked or unlocked by turn-piece inside. Outside lever unlocked by coin or screwdriver.

#### Passage

Both levers always free.

#### Half Dummy

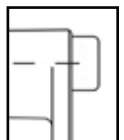
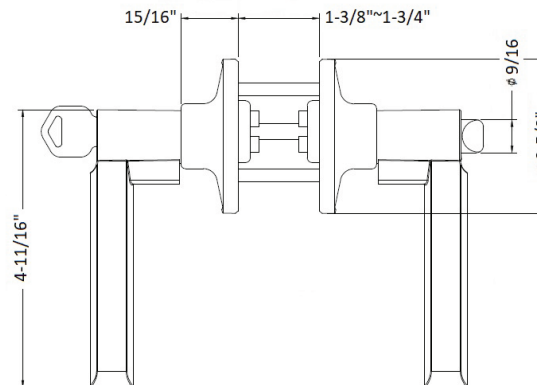
For doors where only pull is required.

#### Entry w/ ADA

Outside lever locked or unlocked by key. Inside lever locked by push-button and always free with quick release function. No unlocking required for panic exit.

#### Privacy w/ ADA

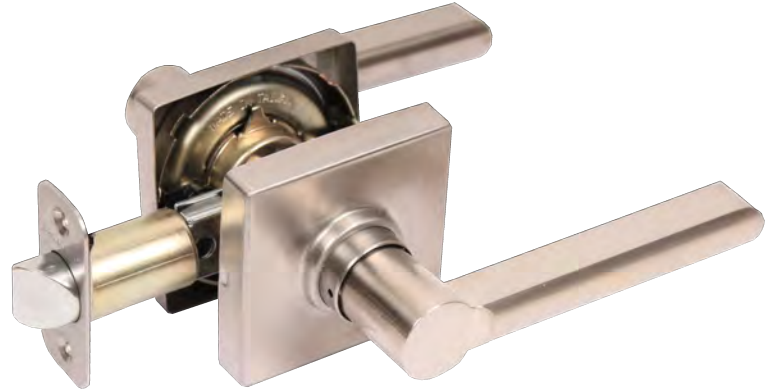
Outside lever lock or unlocked by coin or screwdriver. Inside lever locked by push-button and always free with quick release function. No unlocking required for panic exit.



Push Button

\*\* Entry Function Leverset \*\*

# Alto (square) FLF Series



### FEATURES & OPTIONS

#### Door Preparation

Cross Bore: 2-1/8", Edge: 1"

#### Latch Backset

Exterior: 2-3/8" deadlatch standard  
Interior: 2-3/8" plainlatch standard  
(other options available)

#### Faceplate

1" x 2-1/4" round corner standard  
(other options available)

#### Bolt

1/2" throw

#### Door Thickness

Fit 1-3/8" to 1-3/4" standard  
(extension kit available for 1-3/4" to 2-1/4" door)

#### Cylinder

5-pin KW keyway solid brass cylinder standard  
5-pin SC "C" keyway available

#### Strike Plate

2-1/4" x 1-3/4" round corner full lip standard  
(other options available)

#### Handing

Non-Handed

#### Material

Zinc die-cast lever

#### ANSI/BHMA

A 156.2 Grade 3

### FINISHES

(other finishes available upon request with lead-time)

- US15 – 619 – Satin Nickel
- US19 – 622 – Matte Black
- US26 – 625 – Polished Chrome

### CODE COMPLIANCE

#### Meets ADA Requirements

- Entry w/ ADA
- Privacy w/ ADA



ADA

### WARRANTY

- Lifetime mechanical warranty
- Five years finish warranty

### FUNCTIONS

#### Entry

Both lever locked or unlocked by key outside or turn-piece inside.

#### Privacy

Both levers locked or unlocked by turn-piece inside. Outside lever unlocked by coin or screwdriver.

#### Passage

Both levers always free.

#### Half Dummy

For doors where only pull is required.

#### Entry w/ ADA

Outside lever locked or unlocked by key. Inside lever locked by push-button and always free with quick release function. No unlocking required for panic exit.

#### Privacy w/ ADA

Outside lever lock or unlocked by coin or screwdriver. Inside lever locked by push-button and always free with quick release function. No unlocking required for panic exit.

