

# Single Cylinder Deadbolt *FD2 Series*



### FEATURES & OPTIONS

#### Door Preparation

Cross Bore: 2-1/8", Edge: 1"

#### Latch Backset

2-3/8" deadbolt standard  
(other options available)

#### Faceplate

1" x 2-1/4" round corner standard  
(other options available)

#### Bolt

1" throw

#### Door Thickness

Fit 1-3/8" to 1-3/4" standard  
(extension kit available for 1-3/4" to 2-1/4" door)

#### Cylinder

5-pin KW keyway zinc die-cast housing standard  
5 pin SC "C" keyway available

#### Strike Plate

2-1/4" x 1-3/4" round corner full lip strike standard  
(other options available)

#### Handing

Non-Handed

#### ANSI/BHMA

A 156.5 Grade 3

### FINISHES

(other finishes available upon request with lead-time)

- US3 – 605 – Polished Brass
- US5 – 609 – Antique Brass
- US10B – 613 – Oil Rubbed Bronze
- US15 – 619 – Satin Nickel
- US15A – 620 – Antique Nickel
- US19 – 622 – Matte Black
- US26 – 625 – Polished Chrome
- US32D – 630 – Satin Stainless Steel
- US11P – Venetian Bronze

### WARRANTY

- Lifetime mechanical warranty
- Five years finish warranty

### FUNCTIONS

#### Single Cylinder

Bolt is operated by key from outside and turn-piece inside.

#### One-Sided

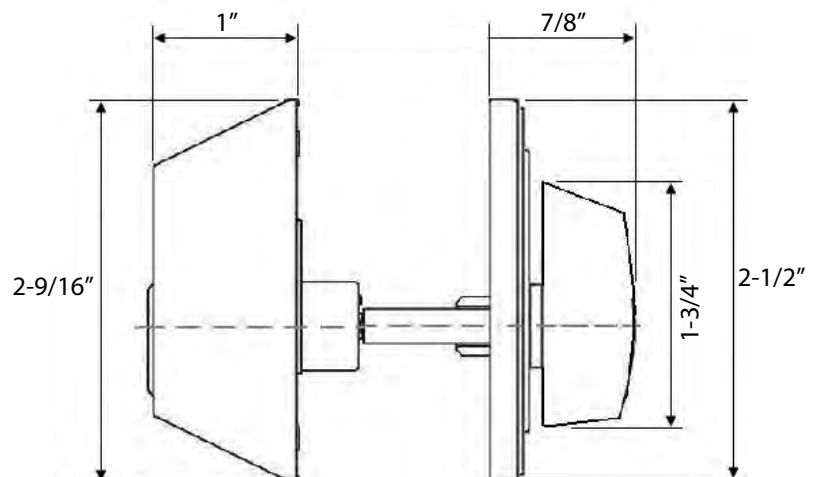
Bolt is operated by turn-piece from inside only.

#### Double Cylinder

Bolt is operated by key on both sides.

#### One-Sided w/ Cover

Bolt is operated by turn-piece from inside only, outside cover plate only.



# Double Cylinder Deadbolt *FD2 Series*



## FEATURES & OPTIONS

### Door Preparation

Cross Bore: 2-1/8", Edge: 1"

### Latch Backset

2-3/8" deadbolt standard  
(other options available)

### Faceplate

1" x 2-1/4" round corner standard  
(other options available)

### Bolt

1" throw

### Door Thickness

Fit 1-3/8" to 1-3/4" standard  
(extension kit available for 1-3/4" to 2-1/4" door)

### Cylinder

5-pin KW keyway zinc die-cast housing standard  
5-pin SC "C" keyway available

### Strike Plate

2-1/4" x 1-3/4" round corner full lip strike standard  
(other options available)

### Handing

Non-Handed

### ANSI/BHMA

A 156.5 Grade 3

## FINISHES

(other finishes available upon request with lead-time)

- US3 – 605 – Polished Brass
- US5 – 609 – Antique Brass
- US10B – 613 – Oil Rubbed Bronze
- US15 – 619 – Satin Nickel
- US15A – 620 – Antique Nickel
- US19 – 622 – Matte Black
- US26 – 625 – Polished Chrome
- US32D – 630 – Satin Stainless Steel
- US11P – Venetian Bronze

## WARRANTY

- Lifetime mechanical warranty
- Five years finish warranty

## FUNCTIONS

### Single Cylinder

Bolt is operated by key from outside and turn-piece inside.

### Double Cylinder

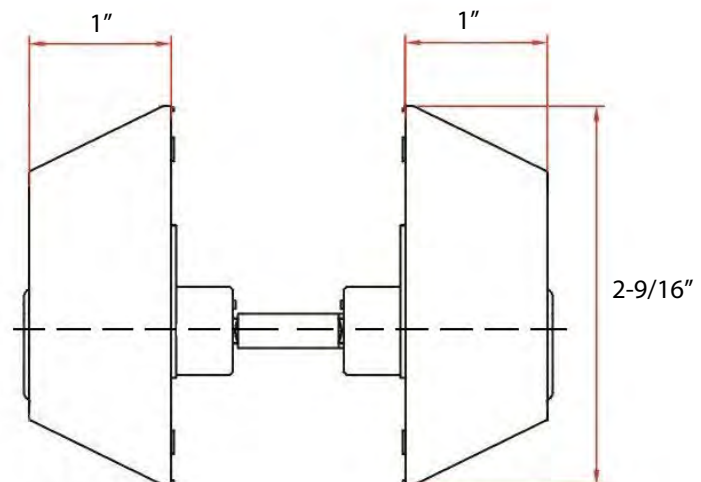
Bolt is operated by key on both sides.

### One-Sided

Bolt is operated by turn-piece from inside only.

### One-Sided w/ Cover

Bolt is operated by turn-piece from inside only, outside cover plate only.



# One-Sided Deadbolt *FD2 Series*



### FEATURES & OPTIONS

#### **Door Preparation**

Cross Bore: 1-5/8", Edge: 1"

#### **Latch Backset**

Adjustable deadbolt standard

#### **Faceplate**

1" x 2-1/4" round corner standard  
(other options available)

#### **Bolt**

1" throw

#### **Door Thickness**

Fit 1-3/8" to 1-3/4" standard  
(extension kit available for 1-3/4" to 2-1/4" door)

#### **Cylinder**

No Cylinder

#### **Strike Plate**

2-1/4" x 1-3/4" round corner full lip strike standard  
(other options available)

#### **Handing**

Non-Handed

#### **ANSI/BHMA**

A 156.5 Grade 3

### FINISHES

(other finishes available upon request with lead-time)

- US3 – 605 – Polished Brass**
- US5 – 609 – Antique Brass**
- US10B – 613 – Oil Rubbed Bronze**
- US15 – 619 – Satin Nickel**
- US15A – 620 – Antique Nickel**
- US19 – 622 – Matte Black**
- US26 – 625 – Polished Chrome**
- US32D – 630 – Satin Stainless Steel**
- US11P – Venetian Bronze**

### WARRANTY

- Lifetime mechanical warranty**
- Five years finish warranty**

### FUNCTIONS

#### **Single Cylinder – E0153 (FD21)**

Bolt is operated by key from outside and turn-piece inside.

#### **Double Cylinder – E0143 (FD22)**

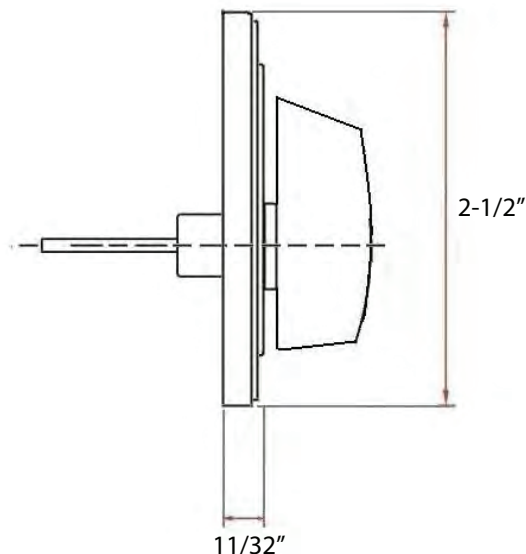
Bolt is operated by key on both sides.

#### **One-Sided – E0193 (FD24)**

Bolt is operated by turn-piece from inside only.

#### **One-Sided w/ Cover – E0113 (FD26)**

Bolt is operated by turn-piece from inside only, outside cover plate only.



# One-Sided Deadbolt w/ Cover *FD2 Series*



### FEATURES & OPTIONS

#### **Door Preparation**

Cross Bore: 2-1/8", Edge: 1"

#### **Latch Backset**

2-3/8" deadbolt standard  
(other options available)

#### **Faceplate**

1" x 2-1/4" round corner standard  
(other options available)

#### **Bolt**

1" throw

#### **Door Thickness**

Fit 1-3/8" to 1-3/4" standard  
(extension kit available for 1-3/4" to 2-1/4" door)

#### **Cylinder**

No Cylinder

#### **Strike Plate**

2-1/4" x 1-3/4" round corner full lip strike standard  
(other options available)

#### **Handing**

Non-Handed

#### **ANSI/BHMA**

ANSI/BHMA A156.40 Grade 3

### FINISHES

(other finishes available upon request with lead-time)

- US3 – 605 – Polished Brass
- US5 – 609 – Antique Brass
- US10B – 613 – Oil Rubbed Bronze
- US15 – 619 – Satin Nickel
- US15A – 620 – Antique Nickel
- US19 – 622 – Matte Black
- US26 – 625 – Polished Chrome
- US32D – 630 – Satin Stainless Steel
- US11P – Venetian Bronze
- US26D – Satin Chrome

### WARRANTY

- Lifetime mechanical warranty
- Five years finish warranty

### FUNCTIONS

#### **Single Cylinder**

Bolt is operated by key from outside and turn-piece inside.

#### **One-Sided**

Bolt is operated by turn-piece from inside only.

#### **Double Cylinder**

Bolt is operated by key on both sides.

#### **One-Sided w/ Cover**

Bolt is operated by turn-piece from inside only, outside cover plate only.

