

Aluminum Shower Rod

Model: BSR-501, 601

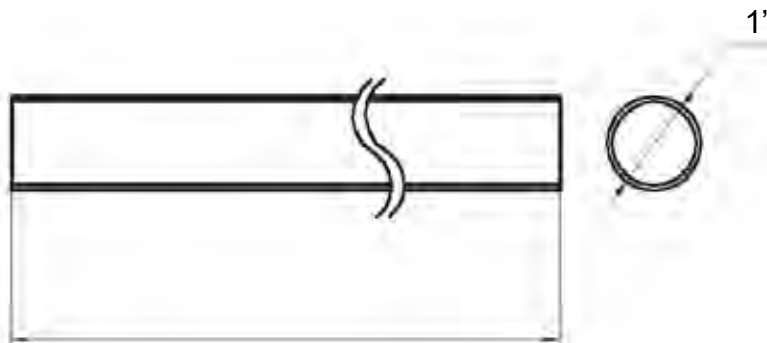
Features

- Bright Aluminum, Extruded Seam Tube, Clean Cut Ends
- 1" O.D. Diameter
- Wall Thickness: 0.025" (22 Gauge)



Available Finish

- Chrome
- Stainless Steel
- Dark Bronze
- Matte Black



60" (5' model)
72" (6' model)

Aluminum Shower Rod & Adj. Flange Set

Model: BSR-511, 611

Features

Rod

- Bright Aluminum, Extruded Seam Tube, Clean Cut Ends
- 1" O.D. Diameter
- Wall Thickness: 0.025" (22 Gauge)

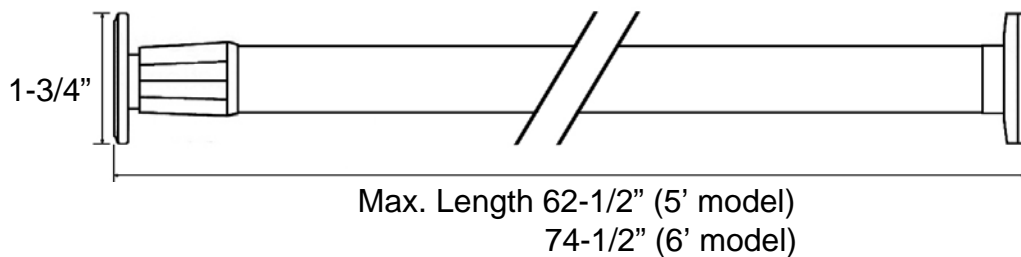
Flange Set

- Material: Chrome Plated ABS Plastic
- Base Wall Thickness: 0.078"
- Body Wall Thickness: 0.062"
- No Screws Required for Mounting



Available Finish

- Chrome



Aluminum Shower Rod & Adj. Flange Set

Model: BSR-521, 621

Features

Rod

- Material: Bright Aluminum
- Extruded Seam Tube, Clean Cut Ends
- 1" Outer Diameter
- Wall Thickness: 0.025" (22 Gauge)

Flange Set

- Material: Chrome Plated Zinc
- Base Wall Thickness: 0.078"
- Body Wall Thickness: 0.062"
- No Screws Required for Mounting



Available Finish

- Chrome
- Dark Bronze
- Black
- Matte Black



Max. Length 62-1/2" (5' model)
72-1/2" (6' model)

Aluminum Shower Rod & Exposed Flange Set

Model: BSR-531, 631

Features

Rod

- Bright Aluminum, Extruded Seam Tube, Clean Cut Ends
- 1" O.D. Diameter
- Wall Thickness: 0.025" (22 Gauge)

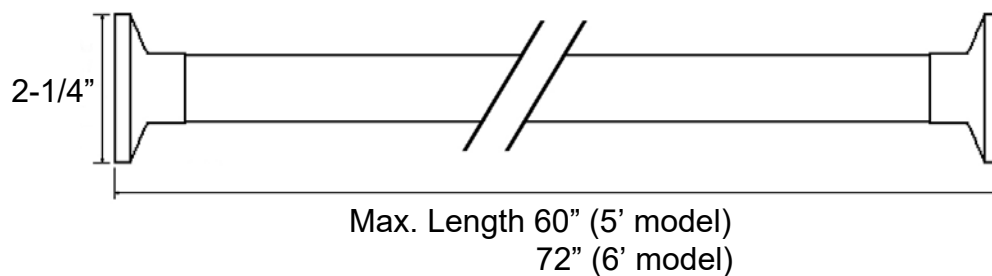
Flange Set

- Material: Zinc Die-cast
- Exposed Screw Surface Mount Application
- Includes 1" Screw x 4, Set Screw x 2
- Base Wall Thickness: 0.062"



Available Finish

- Chrome
- Dark Bronze
- Matte Black



Aluminum Shower Rod & Concealed Flange Set

Model: BSRCP-541, BSRCP-641

Features

Rod

- Bright Aluminum, Extruded Seam Tube, Clean Cut Ends
- 1" O.D. Diameter
- Wall Thickness: 0.025" (22 Gauge)

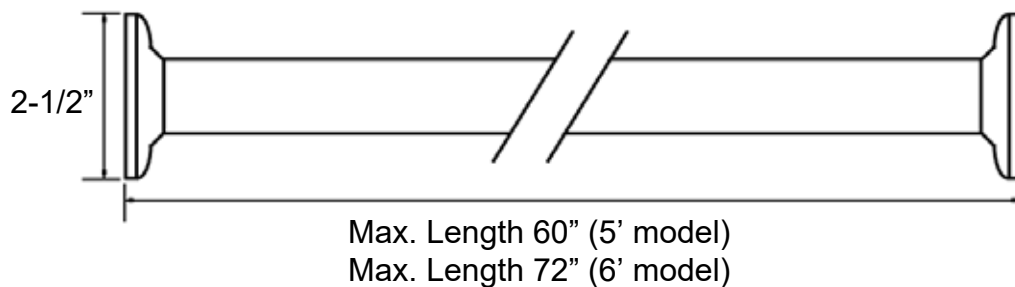
Flange Set

- Material: Stainless Steel
- Concealed Screw Surface Mount Application
- Includes 1-1/4" Screws x 4 and Mounting Bracket x 2



Available Finish

- Chrome
- Matte Black



Curved Shower Rod & Flange Set

Model: BSRxx-552, BSRxx-652

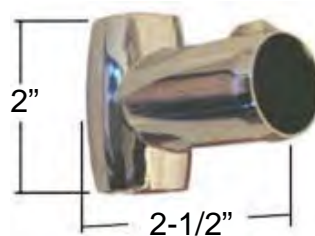
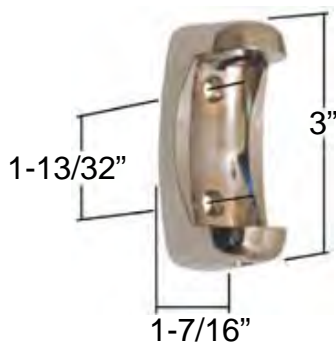
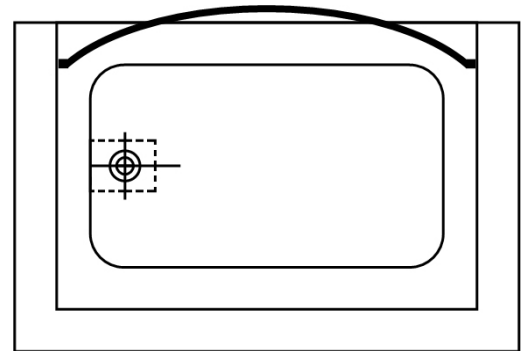
Features

- 25% More showering Space
- Eliminates Elbow-Cling
- Fits Standard or Oval Bath Tub
- Fits Standard Shower Curtain
- Prevents Water Leakage at the Corners
- Easily Cut Down to Customer Size
- 1" Diameter Stainless Steel Rod
- Durable Zinc Die-Cast Swivel Brackets
- 2 Chrome Plated Flanges Included (2-1/2" W x 2" H)
- Complete Mounting Hardware Included (SS Wood Screws, #10 Allen Wrench, Tile Anchors, Sheet Rock Anchors and Instruction)

Available Finish

(other finishes available upon request with lead-time)

- CP: Chrome
- SN: Satin Nickel



9-1/2" (5' Model)
13-1/2" (6" Model)

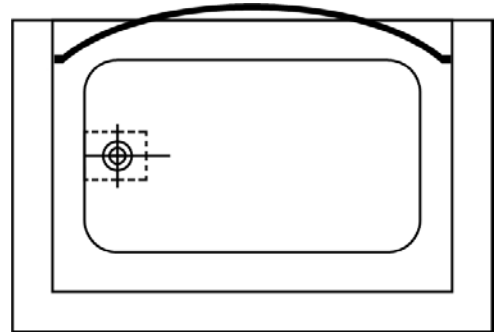


Spacious Curved Shower Rod

Model: BSRxx-573, BSRxx-673

Features

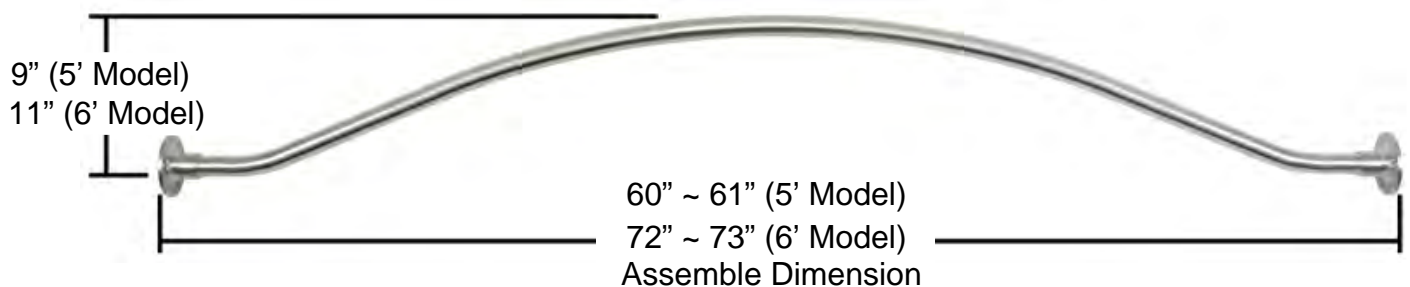
- 25% More showering Space
- Eliminates Elbow-Cling
- Fits Standard or Oval Bath Tub
- Fits Standard Shower Curtain
- Prevents Water Leakage at the Corners
- 1" Diameter Stainless Steel Rod
- Durable Stainless Steel Brackets
- Complete Mounting Hardware Included (SS Wood Screws, #10 Allen Wrench, Tile Anchors, Sheet Rock Anchors and Instruction)



Available Finish

(other finishes available upon request with lead-time)

- Chrome
- Satin Nickel
- Dark Bronze



Stainless Steel Shower Rod

Model: BSRSS-501

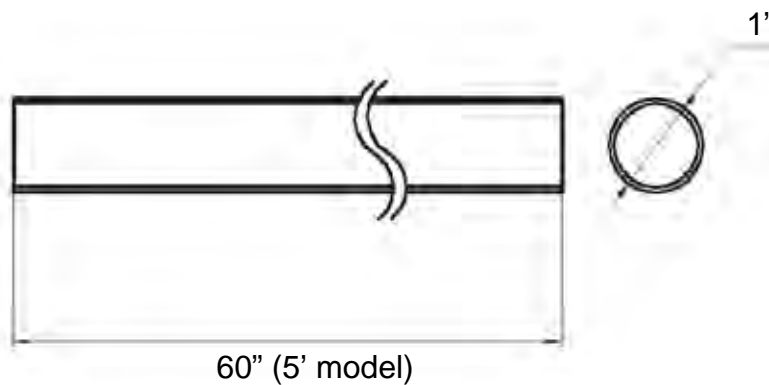
Features

- 5 feet Stainless Steel, Extruded Seam Tube, Clean Cut Ends
- 1" O.D. Diameter
- Wall Thickness: 0.025" (22 Gauge)



Available Finish

- Stainless Steel



Stainless Steel Shower Rod & Concealed Flange Set

Model: BSRSS-541, BSRSS-641

Features

Rod

- Stainless Steel, Extruded Seam Tube, Clean Cut Ends
- 1" O.D. Diameter
- Wall Thickness: 0.025" (22 Gauge)

Flange Set

- Material: Stainless Steel
- Concealed Screw Surface Mount Application
- Includes 1-1/4" Screws x 4 and Mounting Bracket x 2



Available Finish

- Stainless Steel

