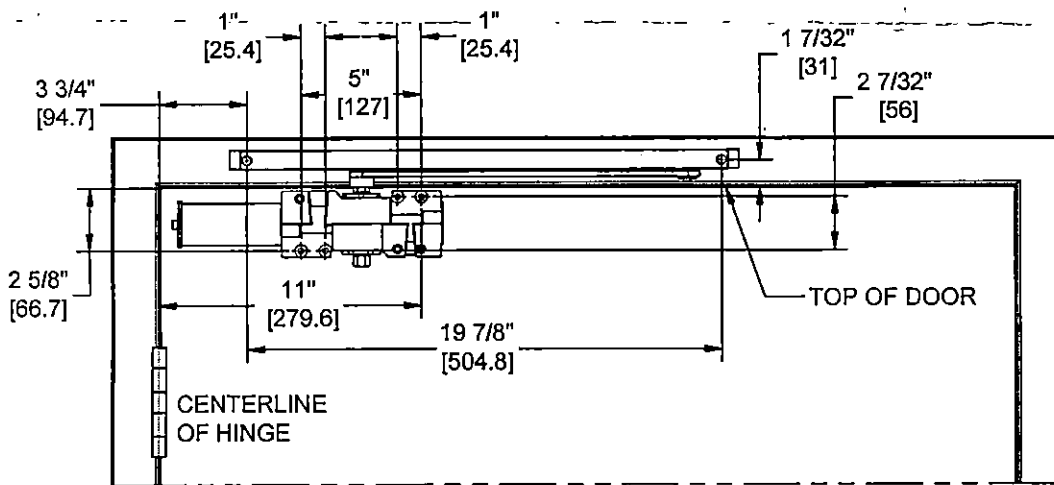


INSTALL TRACK ARM - PULL SIDE APPLICATION (RIGHT HAND SHOWN) 120° TEMPLATE

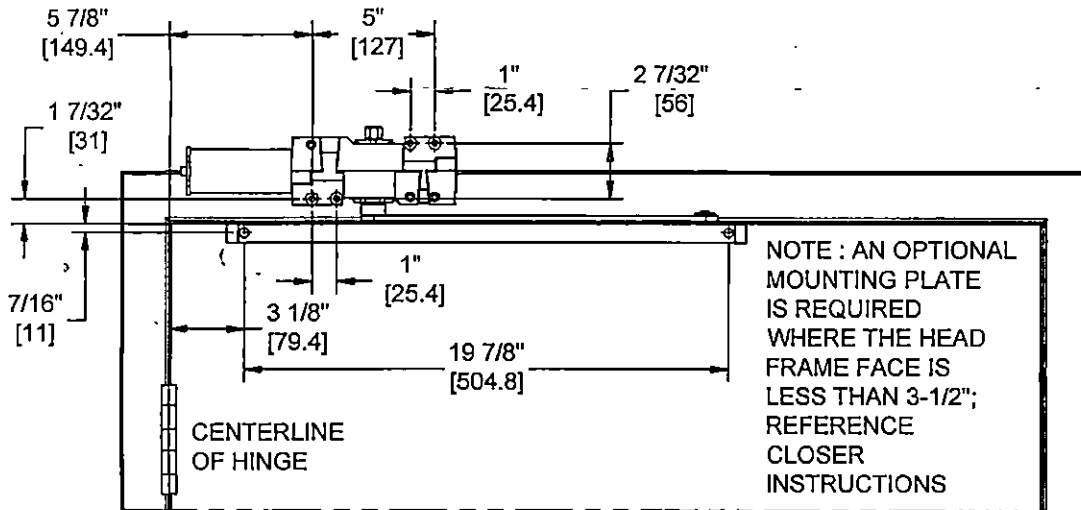


NOTE: IF USER WISHES TO HAVE A LESSER SWING ANGLE, SIMPLY MOVE HOLD OPEN STOP OR STOP ONLY AWAY FROM THE PIVOT HINGE IN INCREMENTS OF 1/2" UNTIL DESIRED ANGLE IS ACHIEVED.

Installation Sequence:

1. Use template above to locate mounting holes on door and frame. Drill 1/8" pilot holes for the self tapping screws.
2. Determine door width, adjust spring power of closer by referencing closer installation instructions.
3. Fasten slide track to frame face with power adjustment nut away from hinge.
4. Fasten slide track to frame face with open side facing down and with hold open stop end toward hinge edge of door.
5. Place slide arm on pinion shaft of closer at preload of 30 degrees out from door face.
6. Secure arm with arm washer and arm screw.
7. Push arm towards door to pretension closer then secure other end of slide arm to track by screwing it to the slide insert. Open door to required opening angle. Then slide hold open stop up against slider insert and tighten down the hold open stop via set screw.

INSTALL TRACK ARM - TOP JAMB (PULL SIDE) MOUNTING APPLICATION (RIGHT HAND SHOWN) 120° TEMPLATE



NOTE: IF USER WISHES TO HAVE A LESSER SWING ANGLE, SIMPLY MOVE HOLD OPEN STOP OR STOP ONLY AWAY FROM THE PIVOT HINGE IN INCREMENTS OF 1/2" UNTIL DESIRED ANGLE IS ACHIEVED.

NOTE : AN OPTIONAL MOUNTING PLATE IS REQUIRED WHERE THE HEAD FRAME FACE IS LESS THAN 3-1/2"; REFERENCE CLOSER INSTRUCTIONS

Installation Sequence:

1. Use template to locate holes on door and frame. Drill 1/8" pilot holes for the self tapping screws.
2. Determine door width, adjust spring power of closer by referencing closer installation instructions.
3. Fasten closer body to frame with power adjustment nut away from hinge.
4. Fasten slide track to door face with open side facing up and with hold open stop end toward hinge edge of door.
5. Place slide arm on pinion shaft of closer at preload of 30 degrees out from door face.
6. Secure arm with arm washer and arm screw.
7. Secure other end of slide arm to track by screwing it to the slide insert. Open door to required opening angle. Then hold open stop up against slider insert and tighten down the hold open stop via set screw.