

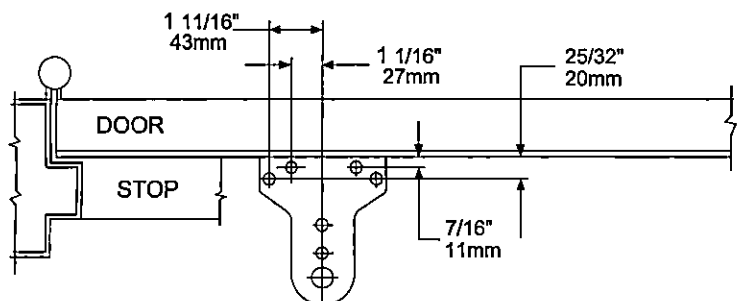
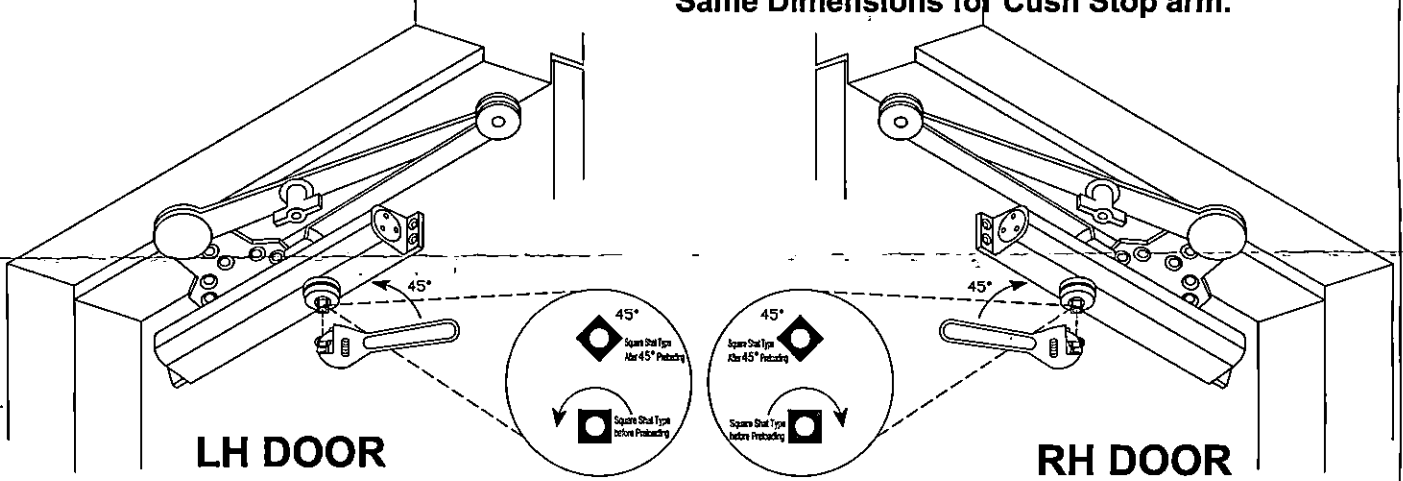


# GC5900 SERIES DOOR CLOSER INSTALLATION INSTRUCTIONS

For Cush Stop or Cush Stop Hold open Arm

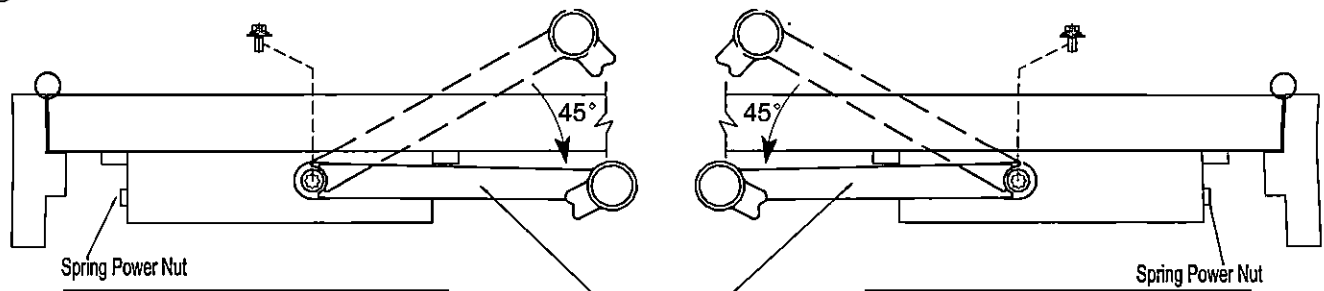
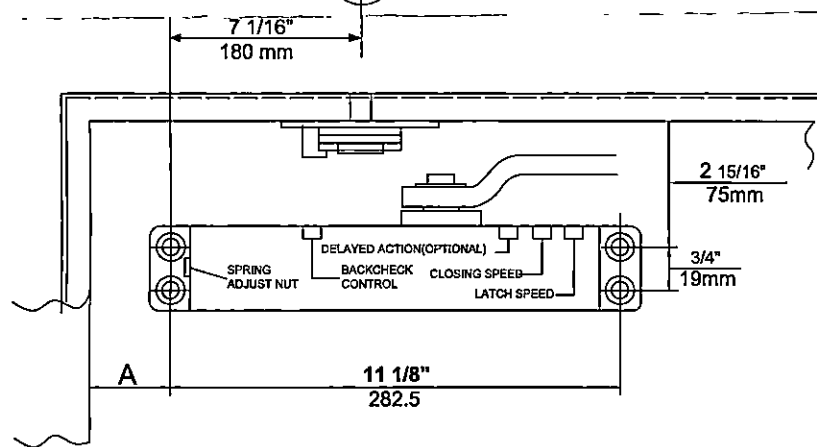
## Push Side Mounting

Cush Stop Hold open arm mounting as shown  
Same Dimensions for Cush Stop arm.



## INSTALLATION INSTRUCTIONS

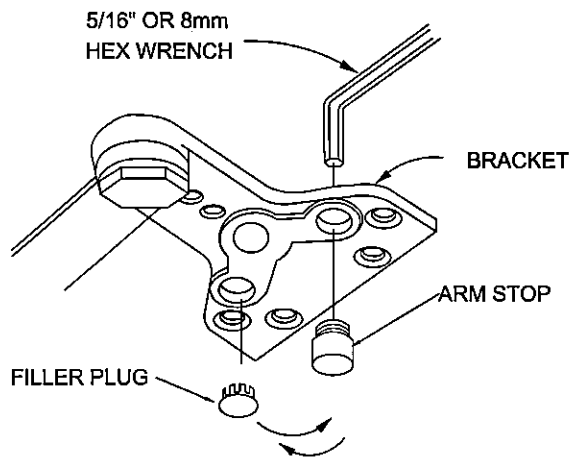
1. According to the Hold open Angle of Max. Opening angle, Mark FOUR (4) HOLES ON DOOR for door closer and FIVE (5) HOLES ON FRAME for parallel bracket.
2. Mount closer and arm bracket on door using screws provided. Spring power adjusting nut must be positioned toward hinge edge.
3. Using a wrench on the square shaft at the bottom of closer, rotate shaft approximately 45° toward hinge edge of door. Hold and place main arm on Closer body Square Shaft after the door is open. Tighten arm screw with lockwasher securely.
4. Close the door and the Main arm should be parallel the door.



	Hold Open	DIMENSION	
		A	
Hold open Arm	85°	3 15/16"	(100mm)
	90°	3 1/8"	(80mm)
	100°	2 3/8"	(60mm)
	110°	1 9/16"	(40mm)
	115°	13/16"	(20mm)

Main arm is parallel to the door after installation.

	Max. Opening Angle	DIMENSION	
		A	
Cush Stop Arm	90°	3 15/16"	(100mm)
	95°	3 1/8"	(80mm)
	105°	2 3/8"	(60mm)
	115°	1 9/16"	(40mm)
	120°	13/16"	(20mm)



THE HAND MUST BE DETERMINED & CHANGED IF NECESSARY BEFORE THE BRACKET IS MOUNTED TO THE DOOR STOP(TOP JAMB).

Refer to page 1.

**FOR LEFT HAND DOORS**

All brackets are shipped assembled for LEFT HAND DOOR. Insert  $\frac{5}{16}$ "(8mm) hex wrench into ARM STOP and Turn counter clockwise to seat as tightly as possible. Push filler plug in firmly.

**FOR RIGHT HAND DOORS**

Pull filler plug out of bracket.

Use a  $\frac{5}{16}$ "(8mm) hex wrench, Turn ARM STOP clockwise to remove from bracket insert hole . Turn hex wrench counter clockwise to seat ARM STOP as tightly as possible. Push filler plug into other hole.

INTERCHANGEABLE FOR DOOR HANDING

# INSTALLATION NOTES:

LEFT HAND DOOR SHOWN - RIGHT HAND DOOR OPPOSITE



## CAUTION

IMPROPER INSTALLATION OR REGULATION MAY RESULT IN PERSONAL INJURY OR PROPERTY DAMAGE.FOLLOW ALL INSTRUCTIONS CAREFULLY.

## IMPORTANT REMARKS

1. Do NOT allow door to slam into frame.
2. A normal standard closing time from 90° open position is 5 to 7 seconds evenly divided between main closing (Sweep) speed and latching speed. Adjust the CLOSING First, then adjust the LATCHING speed.
3. For slower closing speed of door, turn adjusting valve clockwise and counter clockwise for faster speed.

Latching speed control of door is the same as closing speed adjustment.

## ADJUSTABLE BACKCHECK FUNCTION

This function is essential to proper operation of HEAVY DUTYARM W/ DEAD STOP. Use enough to prevent arm from striking stop with impact.

Turn BC Valves Clockwise for Stronger intensity.  
Turn BC valves Counter clockwise for weaker intensity.

## ATTACH COVER ( if packed)

Install cover securely using screws provided.

## HOW TO HOLD -OPEN

A quarter turn on the HOLD-OPEN-CONTROL HANDLE engages or disengages hold -open.

