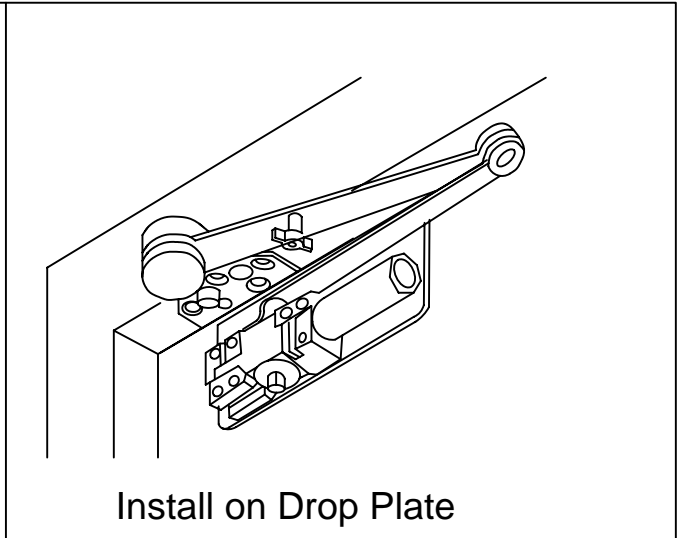
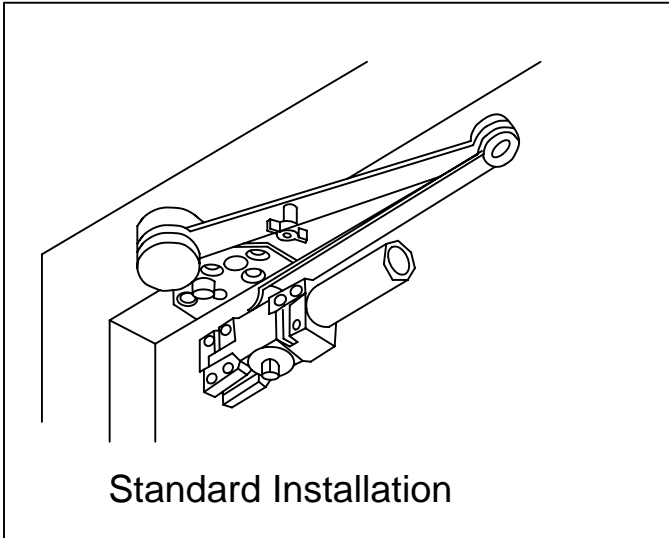


INSTALLATION & INSTRUCTION SHEET

PUSH SIDE MOUNTED (PARALLEL ARM) D.S



GCNSA440 - Cush-N-Stop Arm for GC4400

GHCHA440 - Handle Control Hold Open Arm for GC4400

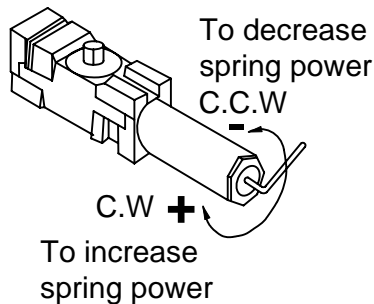
GENERAL NOTES

GC4400 SERIES closer is non handed and designed to meet entrance accessibility requirements. Before installation , determine hand of door first . Refer to the drawing (right).

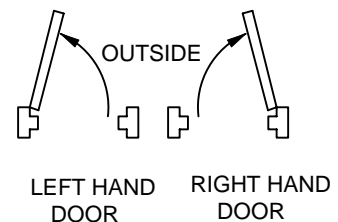
GC4400 SERIES closer can be adjusted to handle all exterior doors up to 48" and interior doors up to 60" wide. Adjust the spring power as shown before installing the closer. Turn the spring adjustment nut clockwise or counter-clockwise the required number of turns to match door width as indicated in chart below.

MAXIMUM DOOR WIDTH		FULL TURNS REQUIRED
EXTERIOR DOORS	INTERIOR DOORS	
	5lb-1*	5 Turns C.C.W
8.5lb-1*	34"	2 Turns C.C.W
30"	38"	0Turns
36"	48"	5 Turns C.W
42"	54"	10 Turns C.W
48"	60"	15 Turns C.W

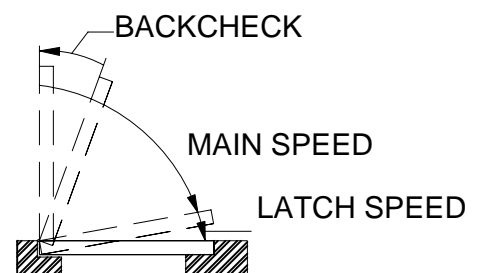
* Opening Force on 36" Door.



HOW TO TELL HAND OF DOOR



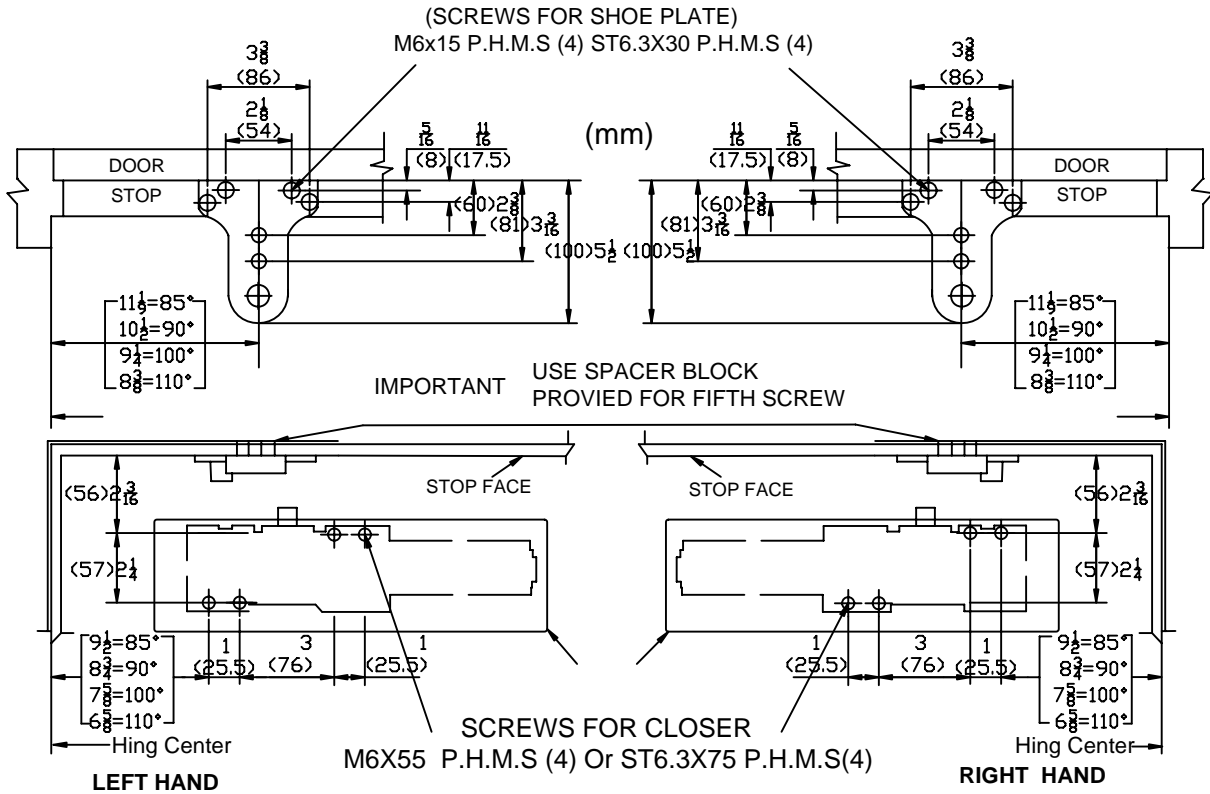
CLOSER CONTROL DIAGRAM



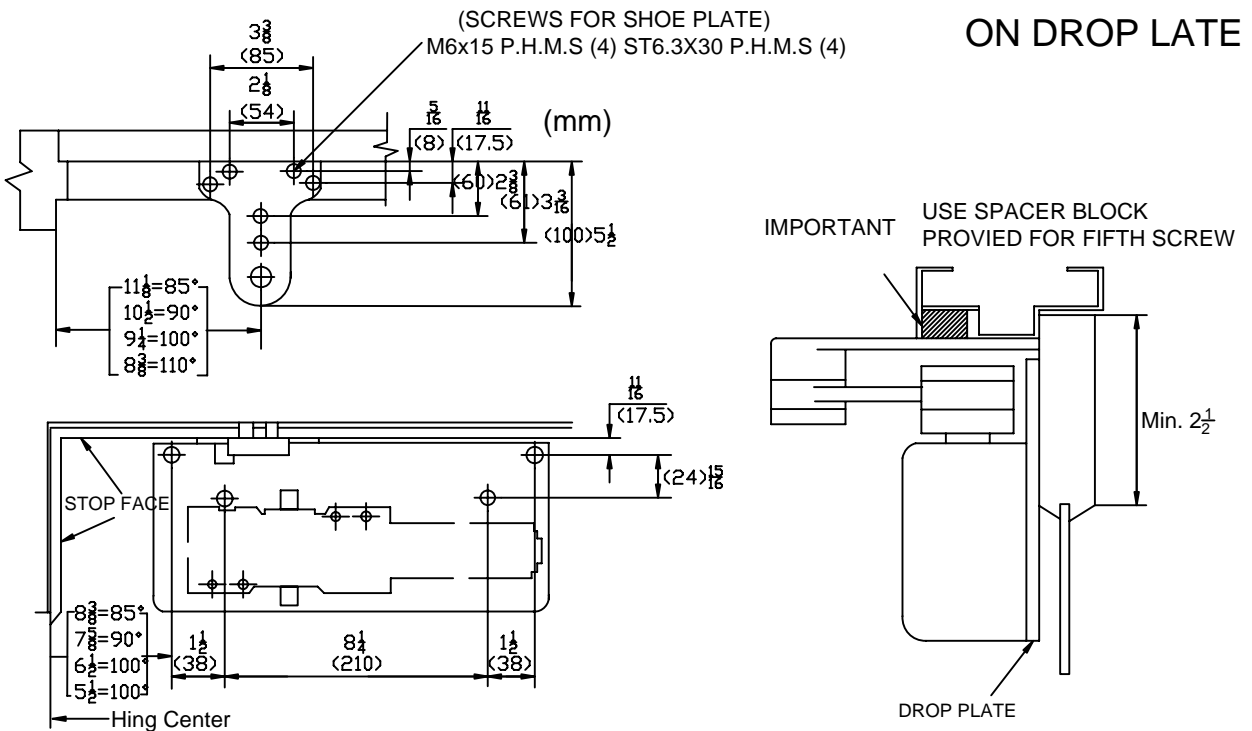
IMPORTANT-When adjusting spring power , DO NOT exceed the maximum number of turns in either direction! Beyond either maximum number of turns may damage closer.

MOUNTED STOP FACE (PUSH SIDE) PARALLEL ARM

TOP RAIL LESS THAN 5-1/2", DROP PALTE WILL BE REQUIRED .MAXIMUM OPENING 110°.



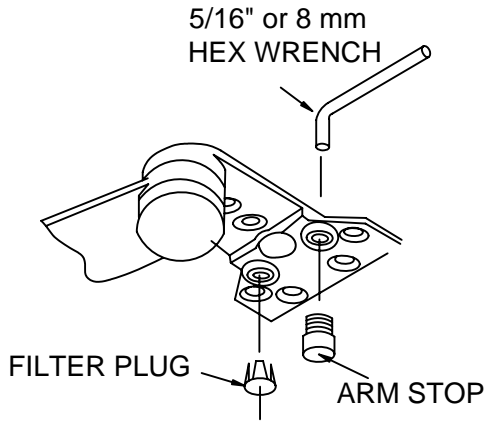
BEFORE INSTALLING MOUNTED STOP FACE (PARALLEL ARM), TURN BACK CHECK SELECTOR VALVE (FOUND IN OPPOSITE SIDE OF CLOSER FROM REGULATING SCREWS SIDE) ALL THE WAY IN (CLOCKWISE) !



LEFT HAND DOOR SHOWN, RIGHT HAND DOOR OPPOSITE

RIGHT HAND ASSEMBLY SHOWN

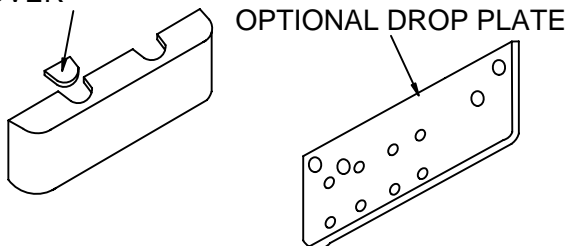
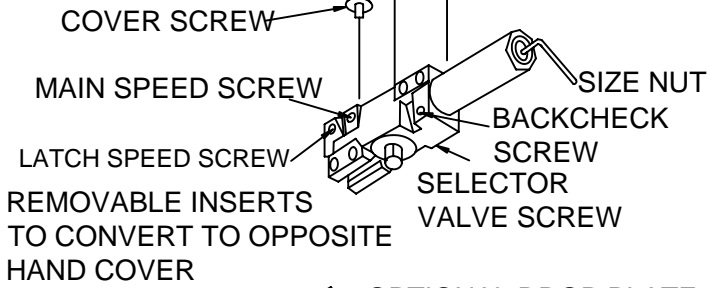
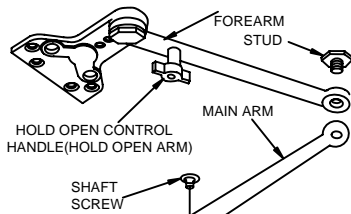
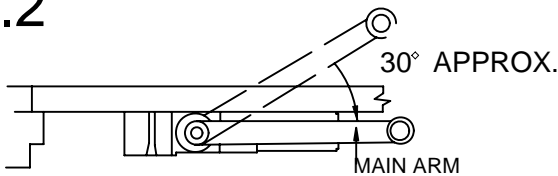
Fig.1



CAUTION

IMPROPER INSTALLATION MAY RESULT IN PERSONAL INJURY OR PROPERTY DAMAGE FOLLOW ALL INSTRUCTIONS CAREFULLY PLEASE.

Fig.2



Both the DS and DSHO shoes must be "Handed" to match door. Before mounting, see Fig.1.

For left hand doors: All shoes are shipped assembled for left hand doors. Insert 5/16" (8mm) Hex Wrench into arm stop and turn counter-clockwise to seat stop as tightly as possible.

For Right hand doors: (See illustration) Push filter plug out of shoe. Using 5/16"(8 mm) Hex wrench, turn arm stop clockwise to remove from shoe. Thread arm stop in hole. Turn wrench counter-clockwise, seating stop as lightly as possible. Insert filter plug into other hole.

INSTALLATION & ADJUSTMENT INSTRUCTIONS

(LEFT HAND SHOWN-RIGHT HAND OPPOSITE)
BEFORE INSTALLING THE ARM-TURN BACKCHECK SELECTOR (on back of closer) ALL THE WAY IN.

1. Adjust spring power to match door width as indicated by chart on page 1.
2. Select proper templating based on degree of opening /dead stop. The closer and arm holes must be located for same degree of opening/dead stop. Drill and or top mounting holes in door and head jamb.
3. Attach complete arm to closer as shown at left . Arm will be at about 30° angle to closer body. Fasten with arm shaft screw. The arm will appear to be in an incorrect position. This is to accommodate the pre-load required for parallel arm mounted door closers See Fig.2
4. Mount closer on door, using fasteners provided. NOTE: Arm will provide resistance.
5. Swing door open about 45°. Mount shoe to frame stop per proper templating. Be sure to install the "Fifth" screw. If Stop is not wide enough, use spacer block provided.

REGULATION

GC4400 Series closer has been regulated prior to shipment. If adjustments are necessary. Carefully follow instructions:

CLOSING SPEED: See closer control diagram on page 1. To adjust main speed, turn reg. screw clockwise to decrease or counter-clockwise to increase. To adjust latch speed, turn reg. screw clockwise to decrease or counter-clockwise to increase. Reg.screw locations are shown at left on label.

BACKCHECK: is essential for proper operation of cushion-stop. Use enough backcheck to prevent arm from striking arm stop with impact .To increase resistance, turn reg. Screw clockwise.

-DO NOT USE ABRUPT BACKCHECK!.

6. Attach cover: Place cover insert into proper slots for either R.H or L.H door. Place cover over closer and hold against door while tightening cover screw firmly.

HOW TO HOLD -OPEN

A quarter turn on the HOLD-OPEN CONTROL HANDLE engages or disengages hold -open.