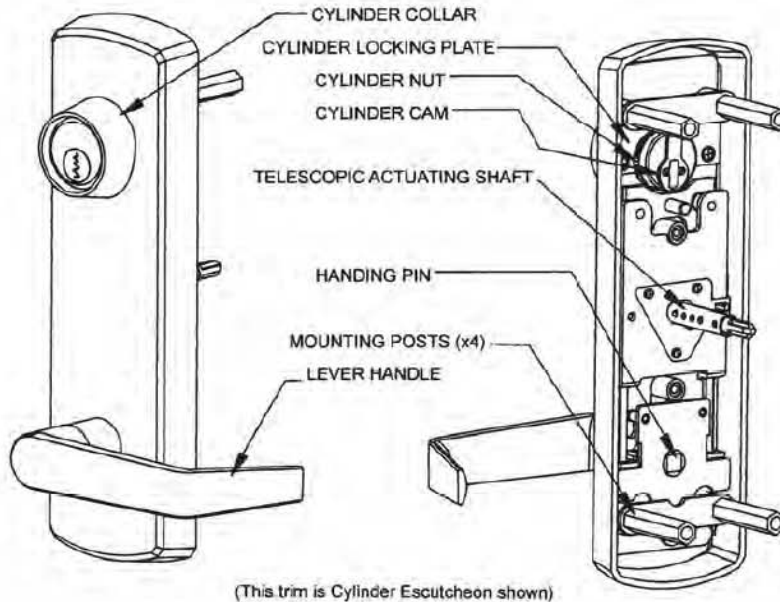


ESCUTCHEON LEVER TRIM INSTALLATION INSTRUCTIONS

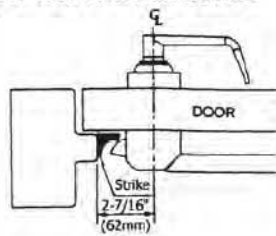
Trims covered by these instructions:

- Cylinder Escutcheon (Entry) - Key locks & unlocks lever
- Blank Escutcheon (Passage) - Lever is always Operable
- Night Latch Escutcheon (Storeroom) - Key retracts latch bolt
- Dummy Escutcheon (Dummy) - Pull when dogged

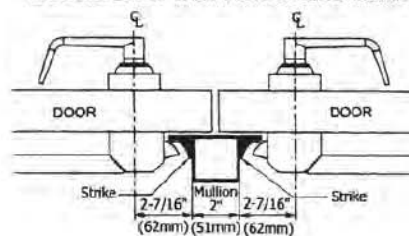


DOOR APPLICATIONS

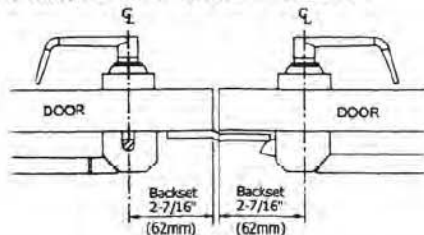
Single Door with Rim Exit Device



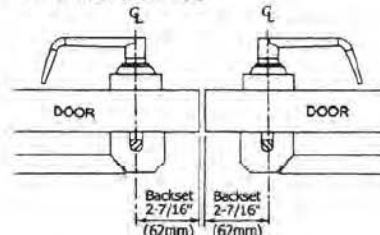
Double Door with Removable Mullion



Double Door with One Rim Exit Device and One Surface Vertical Rod Exit Device



Double Door with Two Surface Vertical Rod Exit Devices



A. SET TRIM HANDING

1. Rotate lever handle to the right or left direction to match the desired door handing. (See Fig. 1.)
Skip to step 2 for Dummy Trim
2. Align the handle for the desired door handling then insert the square handling pin into the hub. (See Fig. 2.)

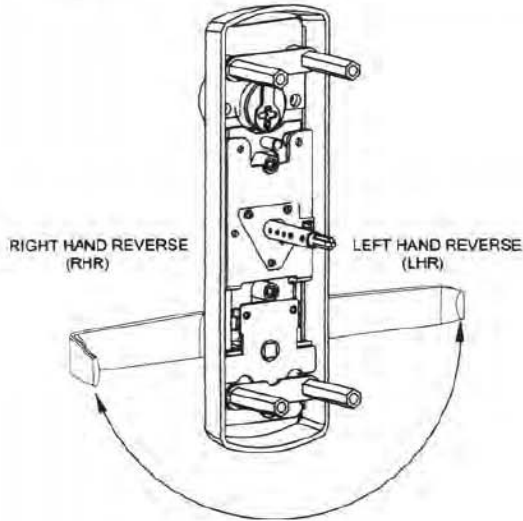


Fig. 1

Device Application
This trim is available for all grade 1 models except mortise lock exit device.

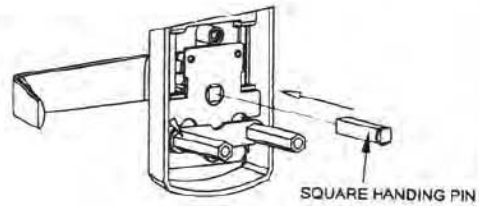


Fig. 2

B. INSTALL MORTISE CYLINDER (Entry Only)

1. Slide wave washer and cylinder collar onto mortise cylinder body. Then, install mortise cylinder into escutcheon trim with cam up position. (See Fig. 3 -1.)
2. Install cylinder locking plate and fasten it with provided screws. Then, screw cylinder nut onto the back of mortise cylinder until secure. (See Fig. 3 -2.)

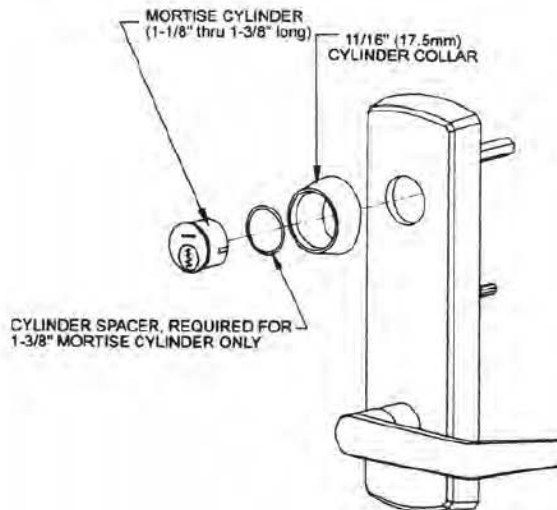


Fig. 3-1

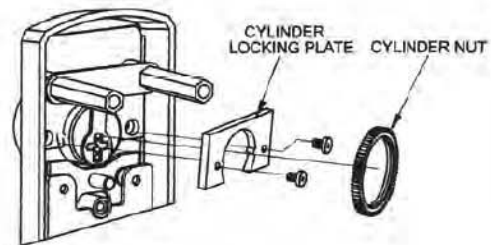


Fig. 3-2

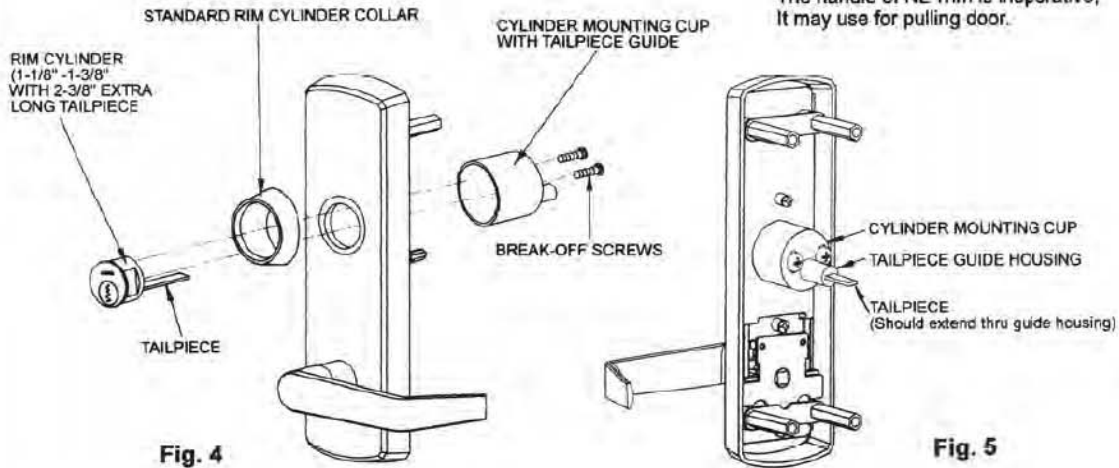
Note:

The handle will be in freewheel state when CE Trim is locked.

C. INSTALL RIM CYLINDER (Storeroom)

1. Check standard length tailpiece on the rim cylinder is long enough or not.
If not, use an extra long tailpiece (2-3/8") to replace it.
2. Slide cylinder collar onto rim cylinder body.
3. Install rim cylinder into escutcheon and align tailpiece with tailpiece guide, and through the cylinder mounting cup. (See Fig. 4.)
4. Adjust two break-off screws to eliminate excess length then fasten the rim cylinder. (See Fig. 5.)
5. Don't overtighten the screws and verify that tailpiece guide rotates freely.

Note:
The handle of NL Trim is inoperative,
It may use for pulling door.



D. MARK AND DRILL MOUNTING HOLES ON DOOR

1. Mark horizontal centerline by matching it to exit device centerline, which can be found on the inside face of door.
2. Refer to DOOR APPLICATIONS section on page 1 to determine the location of the vertical centerline.
This vertical centerline should match exit device vertical centerline located on the inside face of door.
Be careful to check the backset that is to door edge or mullion/stop face from the vertical centerline.
3. Mark and drill dia. 1/2" holes for four mounting posts as shown on template. (See Fig. 6.)
4. Mark and drill a 5/8" hole for trim actuating shaft, which mates with exit device. (See A on Fig. 7.)
- Storeroom model skips this step, Dummy Trim is also not required this step.
See exit device instructions for more details.
5. Mark and drill a 1-5/8" hole, centered 1/4" (6mm) above horizontal centerline, for storeroom Trim model only. (See B on Fig. 7.) For further details, see the storeroom Trim template.

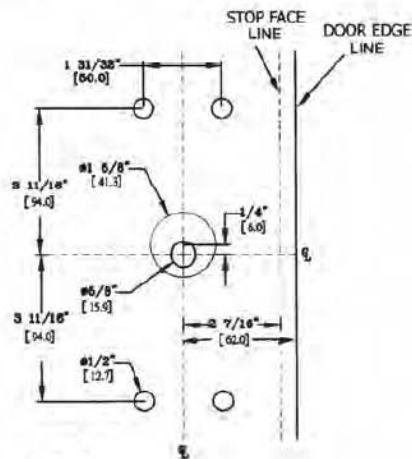


Fig. 6

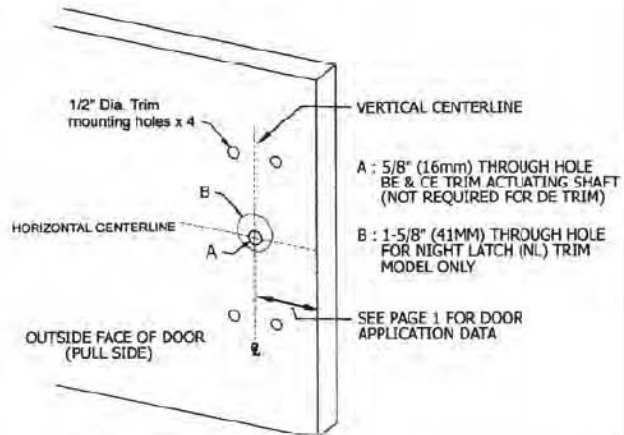


Fig. 7

E. ADJUST TELESCOPIC ACTUATING SHAFT (Passage & Entry)

1. The trim spindle is a telescopic actuating shaft which is preset at factory for a 1-3/4 " thick door use. (See Fig. 8.) There are 5 set-in-place positions for the following door /shim thickness: 1-3/4 ", 2 ", 2-1/4 ", 2-1/2 ", and 3 ". (See Fig. 9.) For thicker door applications, pull out the center crosshair shaft then set it at appropriate position by a setting screw. (See Fig. 10.)
2. Check for proper engagement with exit device in the next step.

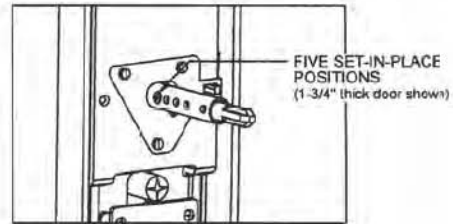
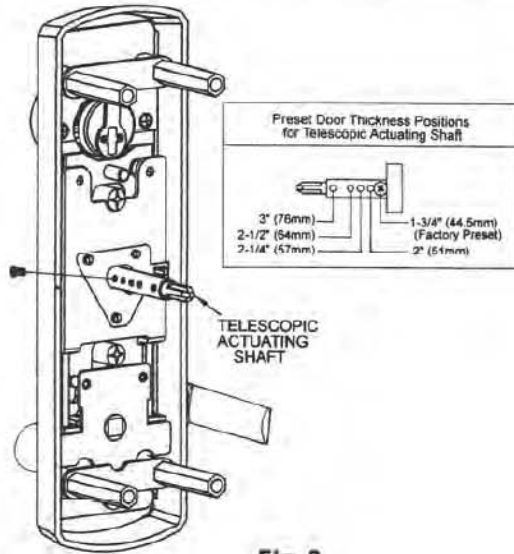


Fig. 9

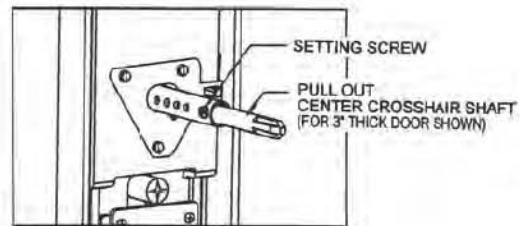
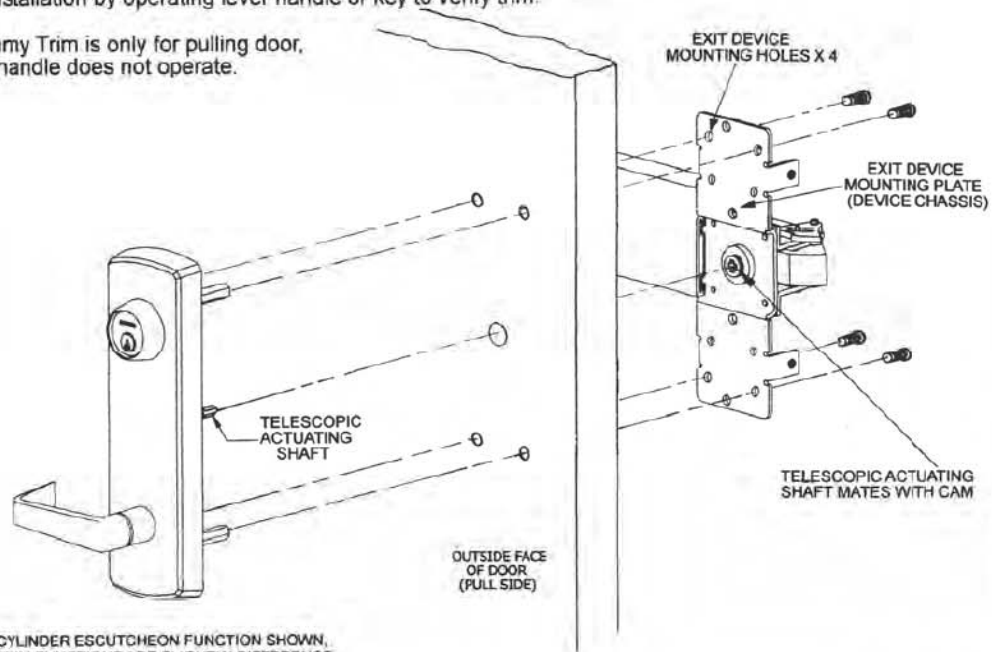


Fig. 10

F. INSTALL ESCUTCHEON TRIM

1. Insert trim mounting posts and telescopic actuating shaft through door.
2. Mate telescopic actuating shaft with cam on back of the exit device.
3. Fasten the trim from the four holes on device mounting plate with provided screws.
4. Test installation by operating lever handle or key to verify trim.

NOTE: Dummy Trim is only for pulling door, the handle does not operate.



THIS IS CYLINDER ESCUTCHEON FUNCTION SHOWN, OTHER TRIM FUNCTIONS ARE SLIGHTLY DIFFERENCE FROM THIS DIAGRAM.