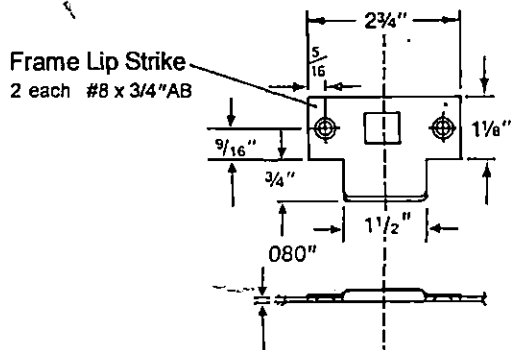
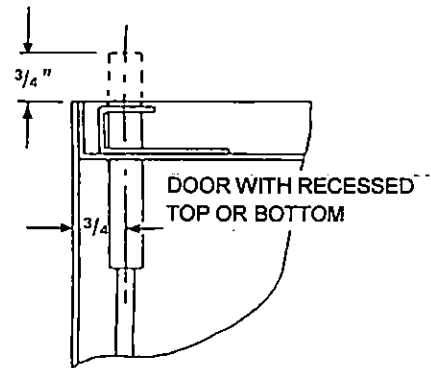
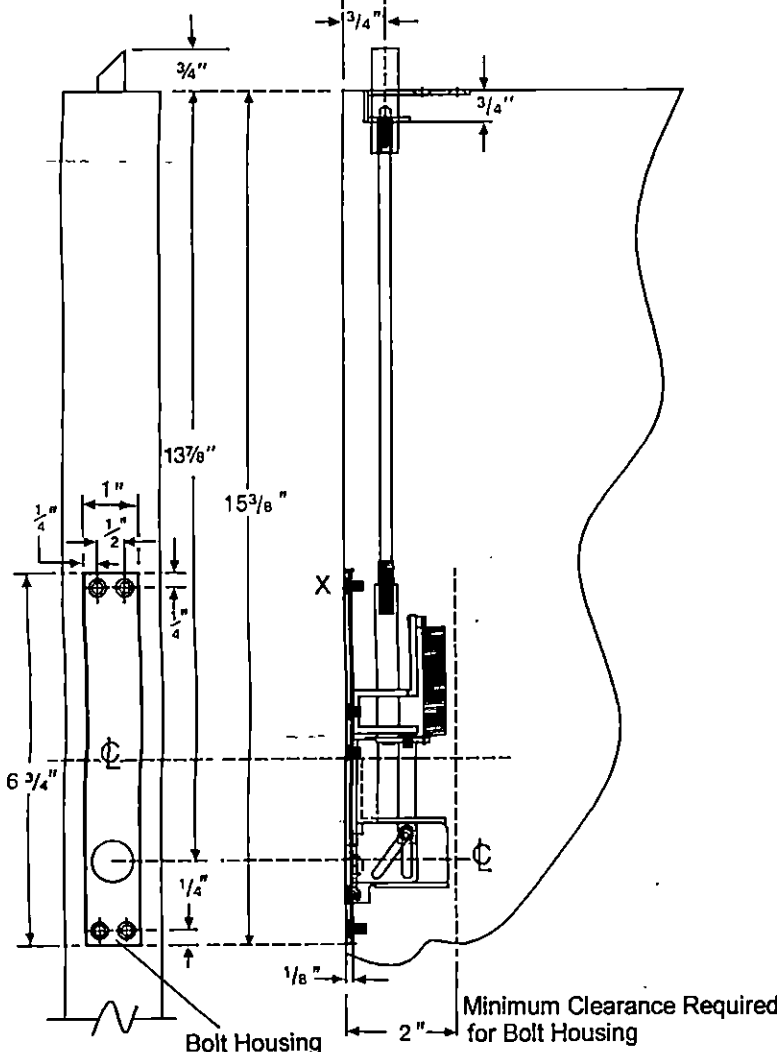
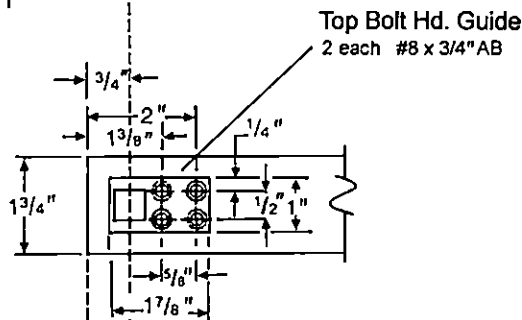


# CONSTANT LATCHING FLUSH BOLT ( FOR METAL DOORS APPLICATION )



DIMENSIONS SHOWN ON THIS TEMPLATE ARE FOR TOP FLUSH BOLTS.



NOTE: WHEN TWO-POINT ENGAGING WITH LATCHING ACTION IS REQUIRED, IT IS RECOMMENDED THAT ONE CONSTANT, SELF-LATCHING FLUSH BOLT BE USED WITH ONE AUTOMATIC FLUSH BOLT. SELF-LATCHING BOLT SHOULD BE INSTALLED AT TOP OF DOOR.

**Bolt Housing**  
 2 each #8 x 3/4" AB  
 2 each #8-32 x 3/8" UNC ( The short screws are seated into the holes of bolt housing as shown mark X, where faces the Bolt Extension Rod. )

SCREW DETAILS: #8-32 x 3/8" UNC - flat countersunk head machine screw, total 2 pcs.  
 #8 x 3/4" AB - undercut flat countersunk head, dual purpose machine/tapping screw, total 6 pcs.