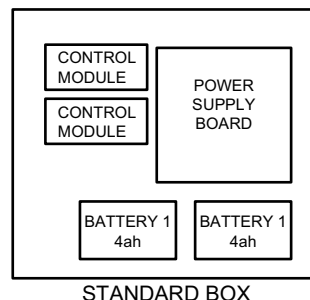
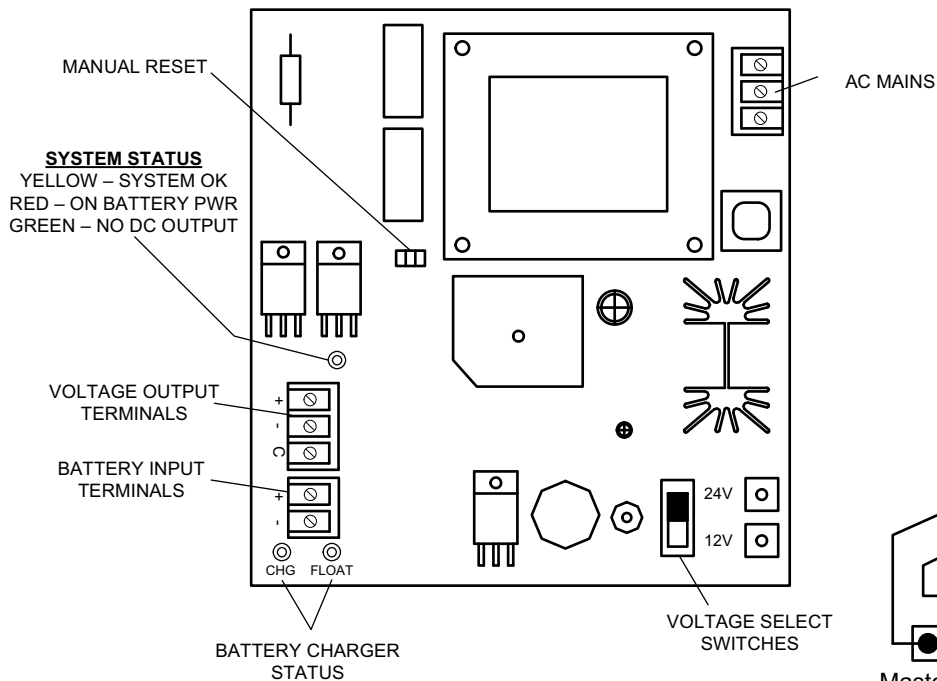
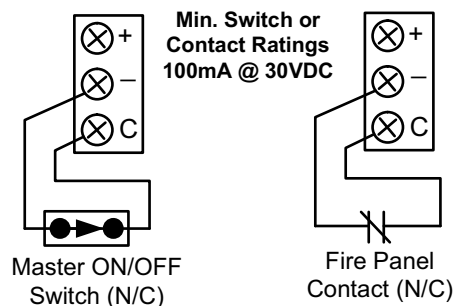


COMPONENT LOCATIONS



MAIN SYSTEM ON-OFF OR FIRE PANEL CONNECTION



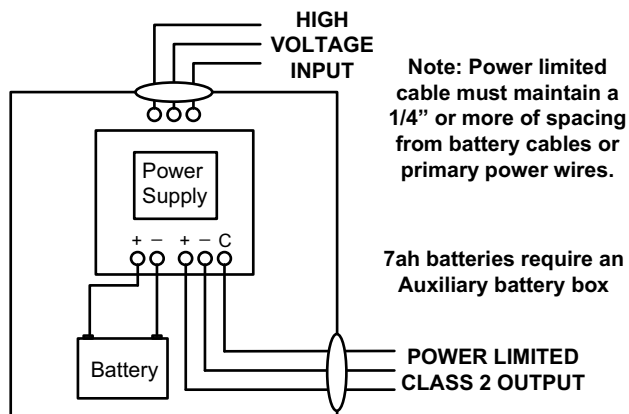
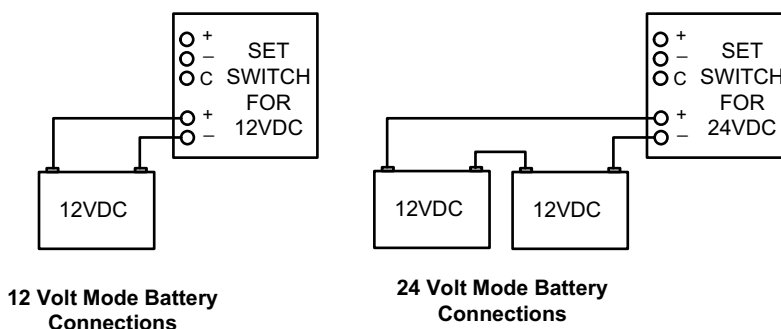
POWER SUPPLY SPECIFICATIONS

Input Voltage: 115/230 VAC @ 60hz
 Input Current: 0.8 amps Max.

Output Voltage: 12/24VDC
 Output Voltage Ranges:
 12 V Operation: 9.2 – 12.0 VDC
 24 V Operation: 21.2 – 24.0 VDC
 Output Current: 2.0 amps
 Ripple Voltage: 0.05 Volts Max.

Battery Charger Max. Current: 0.25 amps
 Maximum recommended battery size: 4ah
 (Replace batteries every 3 years)

Suitable Uses:
 Electric Lock Power Supply
 Access Control Power Supply



TEST UNIT ANNUALLY