

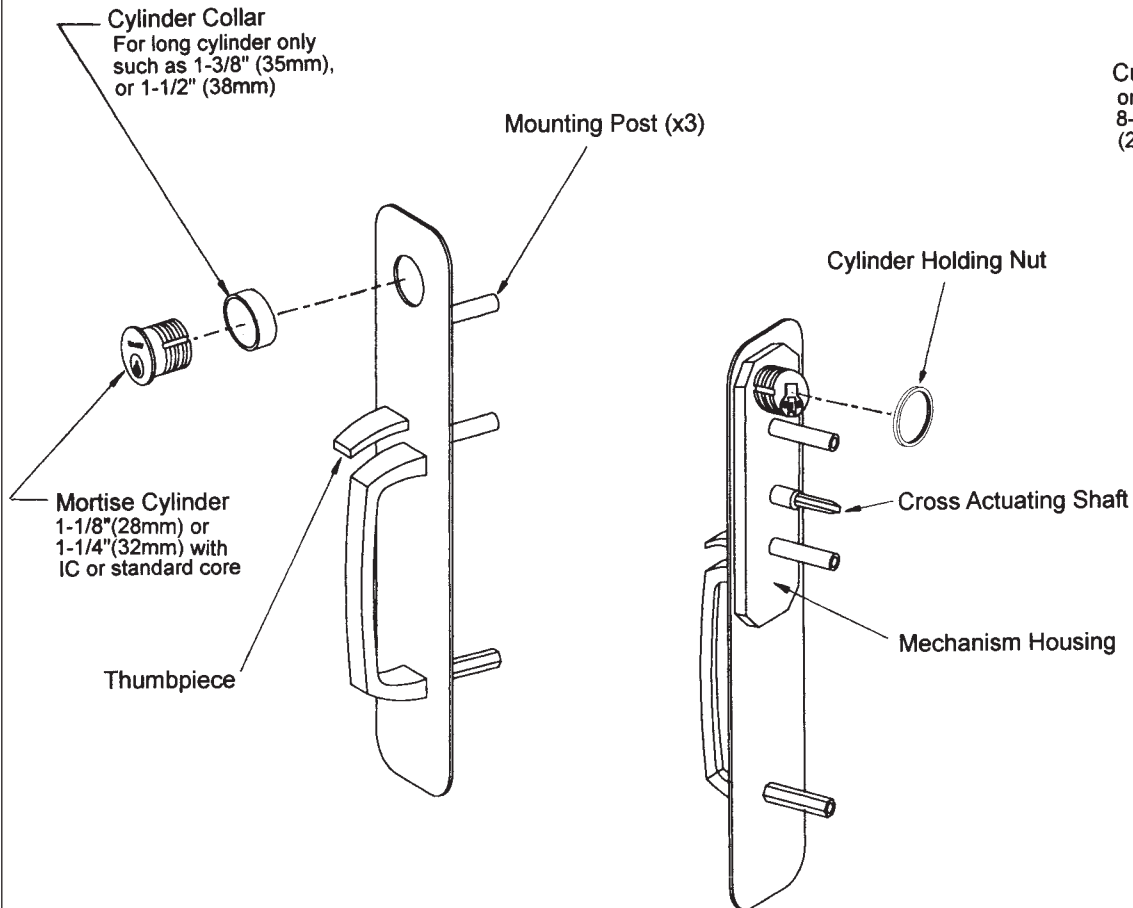
PULL PLATE w/THUMBPIECE INSTRUCTIONS

FOR USE WITH ANSI GRADE 1 WIDE STILE RIM OR SVR EXIT DEVICE

STEP A: INSTALL CYLINDER (SKIP TO STEP B FOR DUMMY TRIM)

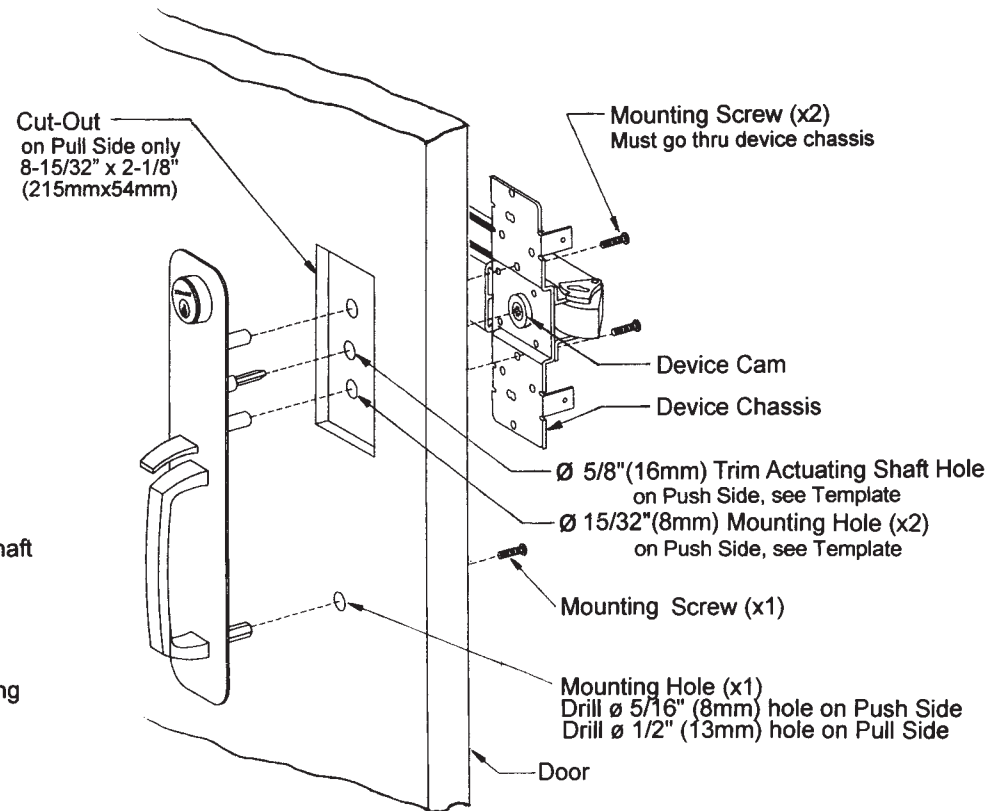
1. Use template to mark cut-out location and mounting holes locations on door. If all holes have been drilled or cut, start to install cylinder first.
2. Install mortise cylinder through provided cylinder collar, then insert the cylinder through hole in pull plate w/thumbpiece.
3. Fasten mortise cylinder using provided cylinder holding nut as shown.

Note:
If use 1-1/8" or 1-1/4" cylinder length,
the cylinder collar is unnecessary.



STEP B: INSTALL PULL PLATE w/THUMBPIECE

1. Insert pull plate w/thumbpiece mechanism housing with three (3) mounting posts and the mortise cylinder through door.
2. Be sure to line up cross actuating shaft with cam located on back of device chassis, then insert it to the cam.
3. Fasten pull plate w/thumbpiece and exit device using the supplied three (3) mounting screws.



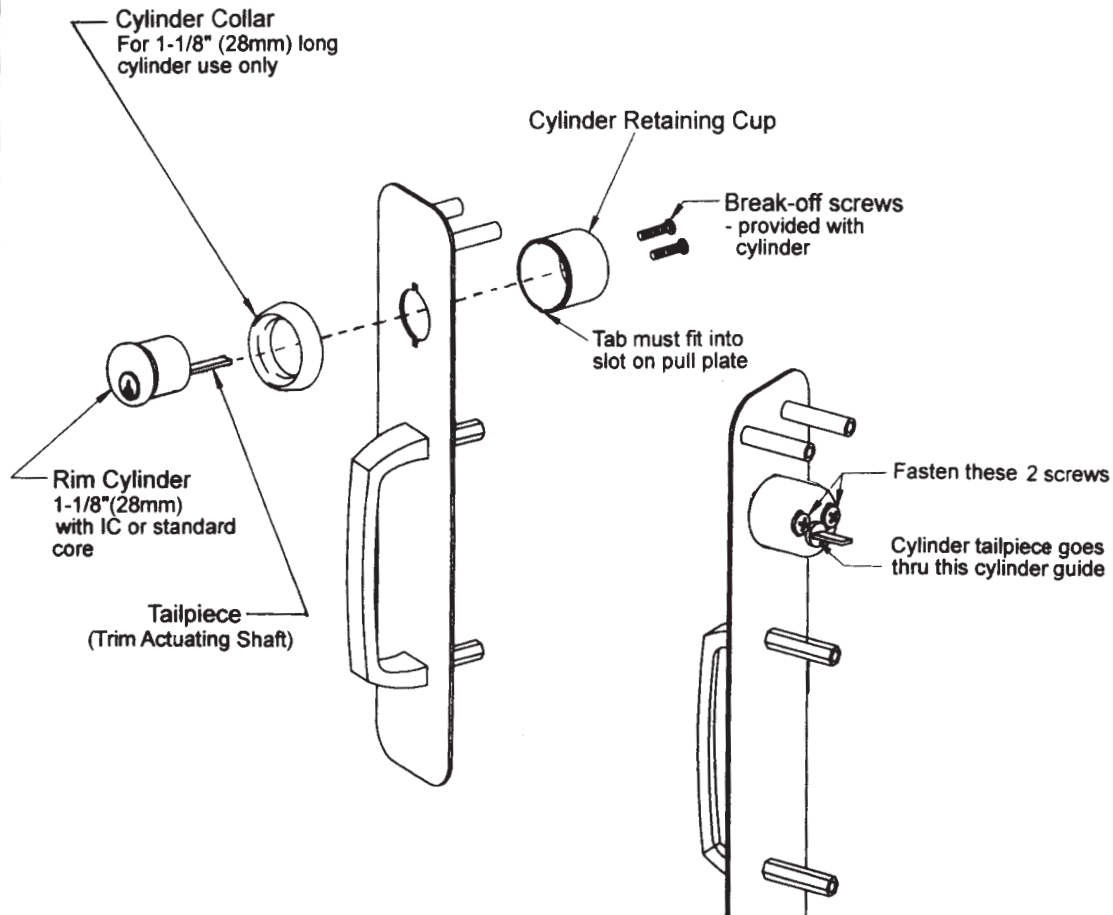
PULL PLATE INSTRUCTIONS

FOR USE WITH ANSI GRADE 1 WIDE STILE RIM OR SVR EXIT DEVICES

STEP A: INSTALL CYLINDER (SKIP TO STEP B FOR DUMMY PULL PLATE)

1. Use template to mark hole locations on door. If all holes have been drilled or cut, start to install cylinder first.
2. Install rim cylinder through provided cylinder collar, then insert the rim cylinder through hole in pull plate and insert cylinder retaining cup from back side of the pull plate.
3. Fasten rim cylinder assembly using the two (2) break-off screws provided with the rim cylinder.

Note:
The thinner cylinder collar provided with the rim cylinder when it is bought from cylinder supplier in your market that is not available for this trim.



STEP B: INSTALL PULL PLATE

1. Insert pull plate four (4) mounting posts and the cylinder assembly through door.
2. Rim cylinder tailpiece should insert into exit device cam approximately 7/16" long. If it is too long and beyond inside face of door, carefully measure and mark at the closest break-off line. Then use pliers to break off it and get appropriate length.
3. Fasten pull plate and exit device using the supplied four (4) mounting screws.

