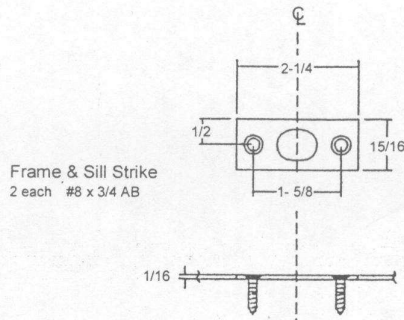
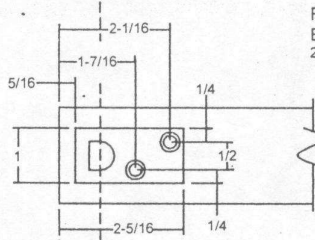


MANUAL FLUSH BOLT (FOR USE ON ALL FIRE LABELLED DOORS)

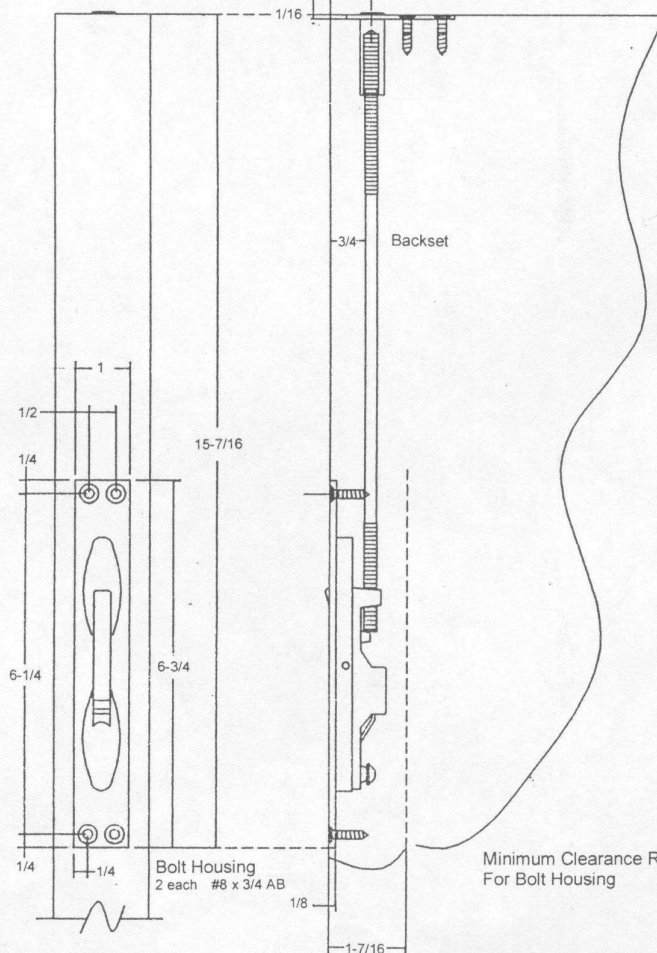


Frame & Sill Strike
2 each #8 x 3/4 AB

DIMENSIONS SHOWN ON THIS TEMPLATE ARE FOR TOP FLUSH BOLTS. FOR BOTTOM BOLTS INVERT AND MEASURE FROM EDGE OF DOOR.



Reversible Top & Bottom Bolt Head Guide
2 each #8 x 3/4 AB



Minimum Clearance Required For Bolt Housing

Bolt Housing
2 each #8 x 3/4 AB

UNIT : Inch (")

SCREW DETAILS : #8 x 3/4" AB – undercut flat countersunk head, dual purpose machine/tapping screw, total 8 pcs.