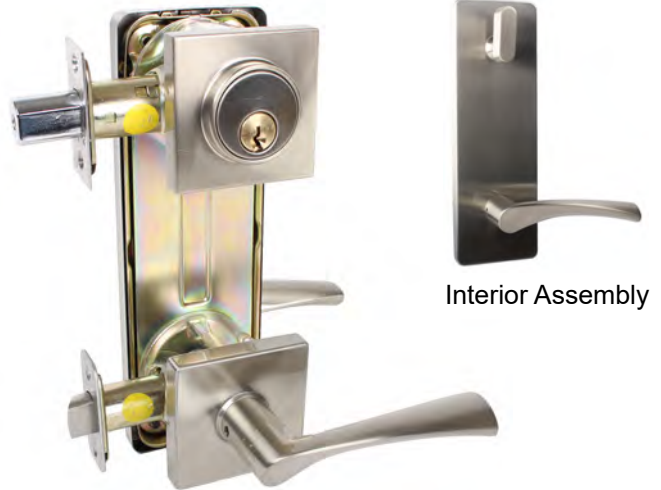


# Tacoma

## FIK5 Series



Interior Assembly

### FEATURES & OPTIONS

#### Door Prep.

Cross Bore: 2-1/8"  
Edge: 1-1/8"  
Center to Center: 5-1/2"

#### Latch Backset

Passage: Adjustable UL plainlatch standard  
Deadbolt: Adjustable UL deadbolt standard  
(other options available)

#### Faceplate

1-1/8" x 2-1/4" square corner standard  
(other options available)

#### Bolt

Lever: 1/2" throw  
Deadbolt: 1" throw

#### Door Thickness

Fit 1-3/4" standard

#### Cylinder

6-pin SC "C" keyway solid brass cylinder standard  
Available in 5-pin KW keyway

#### Strike Plate

Lever: 2-3/4" x 1-1/8" square corner T-strike  
Deadbolt: 2-3/4" x 1-1/8" square corner strike  
(other options available)

#### Handing

Reversible for left or right hand doors

### FINISHES

(other finishes available upon request with lead-time)

- US15 – 619 – Satin Nickel
- US26 – 625 – Polished Chrome
- US19 – 622 – Matte Black

### WARRANTY

- Lifetime mechanical warranty
- Five years finish warranty



### CODE COMPLIANCE

- Meets ANSI A156.12, Series 4000, Grade 2
- Meets ADA Requirements
- UL 3-Hour Fire Rated

### SPECIFICATIONS

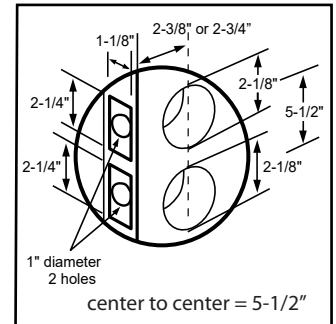
**Interconnected Lockset:** Lock or latchset shall be by PAMEX model # FIK5 Series. All locks shall be non-handed and provide with 3 hour UL listed latch bolt for both lever and deadbolt. Simultaneous retraction of lever and deadbolt by turning the inside lever.

### FUNCTIONS

#### Single Locking – FIK35 (F95-4)

#### Single deadbolt w/ Passage Lever

Deadbolt is operated by key outside and turn-piece inside. Latchbolt retracted by lever from either side. Inside lever retracts deadbolt and deadlatch simultaneously for panic exit.



Door preparation

