

Grade 1 Single Cylinder Deadbolt

FDP Series



FEATURES & OPTIONS

Door Preparation

Cross Bore: 2-1/8", Edge: 1"

Latch Backset

Adjustable UL deadbolt standard
(other options available)

Faceplate

1-1/8" x 2-1/4" square corner standard
(other options available)

Bolt

1" throw

Door Thickness

Fit 1-3/8" to 1-3/4" standard
(extension kit available for 1-3/4" to 2-1/4" door)

Cylinder

6-pin SC "C" keyway solid brass cylinder
standard

Also available in:

5-pin KW keyway

6-pin small format interchangeable core

Strike Plate

2-3/4" x 1-1/8" square corner strike standard with
reinforced plate and 3" wooden screws
(other options available)

Handing

Non-Handed

FINISHES

(other finishes available upon request with lead-time)

- US10B – 613 – Oil Rubber Bronze
- US15 – 619 – Satin Nickel
- US26D – 626 – Satin Chrome
- US19 – 622 – Matte Black

WARRANTY

- Lifetime mechanical warranty
- Five years finish warranty



CODE COMPLIANCE

- Meets ANSI/BHMA A156.5,
Series 4000, Grade 1
- Meets ADA Requirements
- UL 3-Hour Fire Rated

SPECIFICATIONS

Lockset: Grade 1 tubular deadbolt lock shall be by PAMEX model # FDP Series.

Deadbolt shall be non-handed, reversible and made from solid brass. The bolt shall be made with hardened steel insert for saw resistant and have 1" projection.

FUNCTIONS

Single Cylinder – FDP1 (E0151)

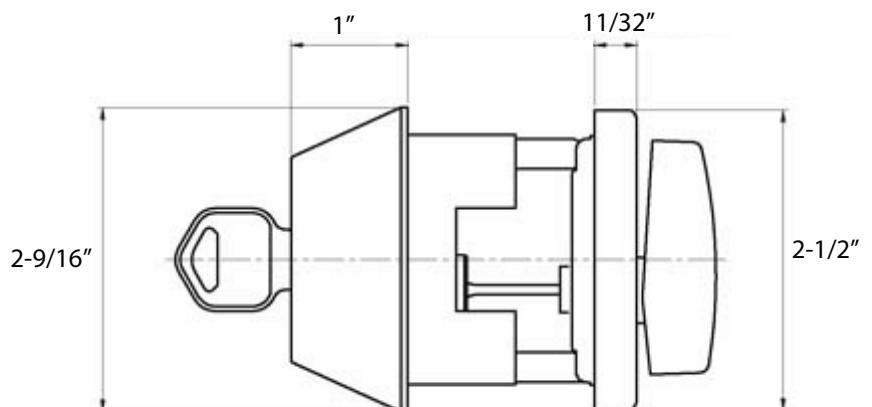
Bolt is operated by key from outside and Turn-piece inside.

Double Cylinder – FDP2 (E0141)

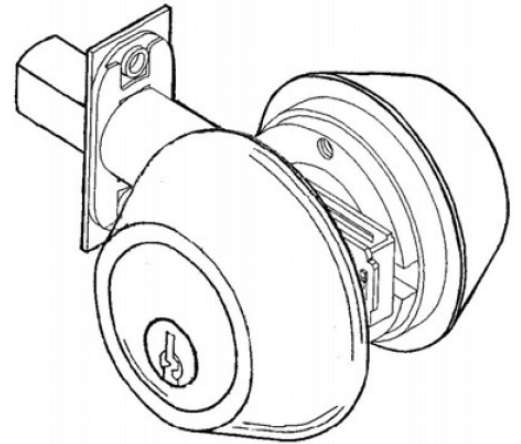
Bolt is operated by key on both sides.

Classroom – FDP8 (E0171)

Bolt is operated by key from outside. Inside turn piece will retract bolt only



Grade 1 Double Cylinder Deadbolt *FDP Series*



FEATURES & OPTIONS

Door Preparation

Cross Bore: 2-1/8", Edge: 1"

Latch Backset

Adjustable UL deadbolt standard
(other options available)

Faceplate

1-1/8" x 2-1/4" square corner standard
(other options available)

Bolt

1" throw

Door Thickness

Fit 1-3/8" to 1-3/4" standard
(extension kit available for 1-3/4" to 2-1/4" door)

Cylinder

6-pin SC "C" keyway solid brass cylinder
standard

Also available in:

5-pin KW keyway

6-pin small format interchangeable core ⚡

Strike Plate

2-3/4" x 1-1/8" square corner strike standard with
reinforced plate and 3" wooden screws
(other options available)

Handing

Non-Handed

FINISHES

(other finishes available upon request with lead-time)

- US10B – 613 – Oil Rubber Bronze ⚡
- US15 – 619 – Satin Nickel ⚡
- US26D – 626 – Satin Chrome ⚡
- US19–622 – Matte Black ⚡

WARRANTY

- Lifetime mechanical warranty
- Five years finish warranty



CODE COMPLIANCE

- Meets ANSI/BHMA A156.5,
Series 4000, Grade 1
- Meets ADA Requirements
- UL 3-Hour Fire Rated

SPECIFICATIONS

Lockset: Grade 1 tubular deadbolt lock shall be by PAMEX model # FDP Series.

Deadbolt shall be non-handed, reversible and made from solid brass. The bolt shall be made with hardened steel insert for saw resistant and have 1" projection.

FUNCTIONS

Single Cylinder – FDP1 (E0151) ⚡

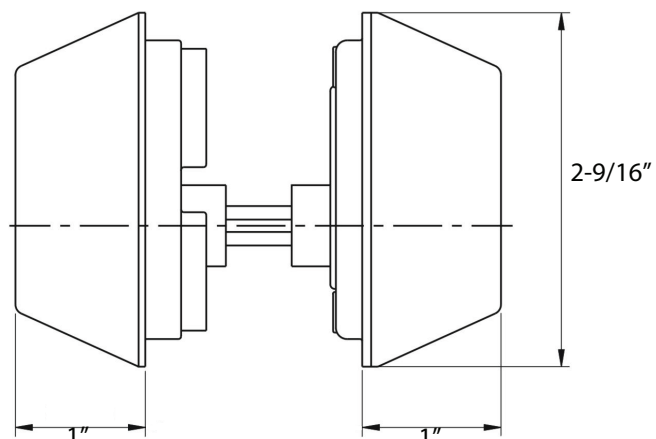
Bolt is operated by key from outside and Turn-piece inside.

Double Cylinder – FDP2 (E0141) ⚡

Bolt is operated by key on both sides.

Classroom – FDP8 (E0171) ⚡

Bolt is operated by key from outside. Inside turn piece will retract bolt only



Grade 1 Classroom Deadbolt

FDP Series



FEATURES & OPTIONS

Door Preparation

Cross Bore: 2-1/8", Edge: 1"

Latch Backset

Adjustable UL deadbolt standard
(other options available)

Faceplate

1-1/8" x 2-1/4" square corner standard
(other options available)

Bolt

1" throw

Door Thickness

Fit 1-3/8" to 1-3/4" standard
(extension kit available for 1-3/4" to 2-1/4" door)

Cylinder

6-pin SC "C" keyway solid brass cylinder
standard

Also available in:

5-pin KW keyway

6-pin small format interchangeable core

Strike Plate

2-3/4" x 1-1/8" square corner strike standard with
reinforced plate and 3" wooden screws
(other options available)

Handing

Non-Handed

FINISHES

(other finishes available upon request with lead-time)

- US10B – 613 – Oil Rubber Bronze**
- US15 – 619 – Satin Nickel**
- US26D – 626 – Satin Chrome**
- US19 – 622 – Matte Black**

WARRANTY

- Lifetime mechanical warranty
- Five years finish warranty



CODE COMPLIANCE

- Meets ANSI/BHMA A156.5,
Series 4000, Grade 1
- Meets ADA Requirements
- UL 3-Hour Fire Rated

SPECIFICATIONS

Lockset: Grade 1 tubular deadbolt lock shall be by PAMEX model # FDP Series.

Deadbolt shall be non-handed, reversible and made from solid brass. The bolt shall be made with hardened steel insert for saw resistant and have 1" projection.

FUNCTIONS

Single Cylinder – FDP1 (E0151)

Bolt is operated by key from outside and Turn-piece inside.

Double Cylinder – FDP2 (E0141)

Bolt is operated by key on both sides.

Classroom – FDP8 (E0171)

Bolt is operated by key from outside. Inside turn piece will retract bolt only

