

# Single Cylinder Deadbolt *FD3 Series*



### FEATURES & OPTIONS

#### Door Preparation

Cross Bore: 2-1/8", Edge: 1"

#### Latch Backset

Adjustable deadbolt standard

#### Faceplate

1" x 2-1/4" round corner standard  
(other options available)

#### Bolt

1" throw

#### Door Thickness

Fit 1-3/8" to 1-3/4" standard  
(extension kit available for 1-3/4" to 2-1/4" door)

#### Cylinder

5-pin KW keyway solid brass standard  
5 and 6-pin SC "C" keyway available

#### Strike Plate

2-1/4" x 1-3/4" round corner full lip strike standard  
(other options available)

#### Handing

Non-Handed

#### ANSI/BHMA

A 156.5 Grade 3

### FINISHES

(other finishes available upon request with lead-time)

- USL03 – 505 – Lifetime Polished Brass
- US3 – 605 – Polished Brass
- US5 – 609 – Antique Brass
- US10B – 613 – Oil Rubbed Bronze
- US15 – 619 – Satin Nickel
- US15A – 620 – Antique Nickel
- US19 – 622 – Matte Black
- US26 – 625 – Polished Chrome
- US32D – 630 – Satin Stainless Steel
- US11P – Venetian Bronze

### WARRANTY

- Lifetime mechanical warranty
- Five years finish warranty

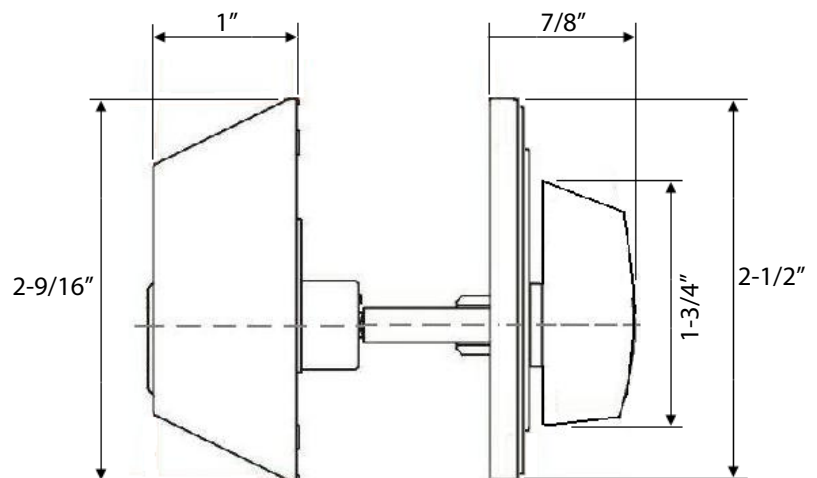
### FUNCTIONS

#### Single Cylinder – E2151 (FD31)

Bolt is operated by key from outside and turn-piece inside.

#### Double Cylinder – E2141 (FD32)

Bolt is operated by key on both sides.



# Double Cylinder Deadbolt FD3 Series



### FEATURES & OPTIONS

#### Door Preparation

Cross Bore: 2-1/8", Edge: 1"

#### Latch Backset

Adjustable deadbolt standard

#### Faceplate

1" x 2-1/4" round corner standard  
(other options available)

#### Bolt

1" throw

#### Door Thickness

Fit 1-3/8" to 1-3/4" standard  
(extension kit available for 1-3/4" to 2-1/4" door)

#### Cylinder

5-pin KW keyway solid brass standard  
5 and 6-pin SC "C" keyway available

#### Strike Plate

2-1/4" x 1-3/4" round corner full lip strike standard  
(other options available)

#### Handing

Non-Handed

#### ANSI/BHMA

A 156.5 Grade 3

### FINISHES

(other finishes available upon request with lead time)

- USL03 – 505 – Lifetime Polished Brass
- US3 – 605 – Polished Brass
- US5 – 609 – Antique Brass
- US10B – 613 – Oil Rubbed Bronze
- US15 – 619 – Satin Nickel
- US15A – 620 – Antique Nickel
- US19 – 622 – Matte Black
- US26 – 625 – Polished Chrome
- US32D – 630 – Satin Stainless Steel
- US11P – Venetian Bronze

### WARRANTY

- Lifetime mechanical warranty
- Five years finish warranty

### FUNCTIONS

#### Single Cylinder – E2151 (FD31)

Bolt is operated by key from outside and turn-piece inside.

#### Double Cylinder – E2141 (FD32)

Bolt is operated by key on both sides.

