

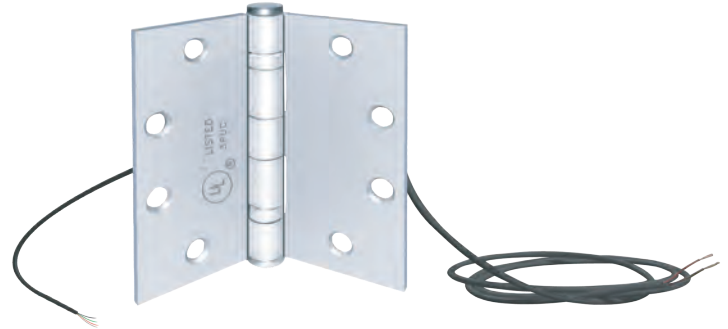
Model: EPT-H4

4.5" x 4.5" Electric Power Transfer Hinge with Concealed Wires



Descriptions

- UL 10B / 10C Listed for 3Hr rated doors
- 800,000 cycles. 8 times UL test criteria
- 4 Conductors
- 1 Amp @ 12/24V per pair
- Wire replacement warranty
- 4-1/2' cable standard
- Material: Steel material with Steel barrel



Applications

Installed in the center hinge position of the door, EPTH Power Transfer Hinges provide the concealed wires required between the door and the frame, for the purpose of powering and monitoring electric door hardware.

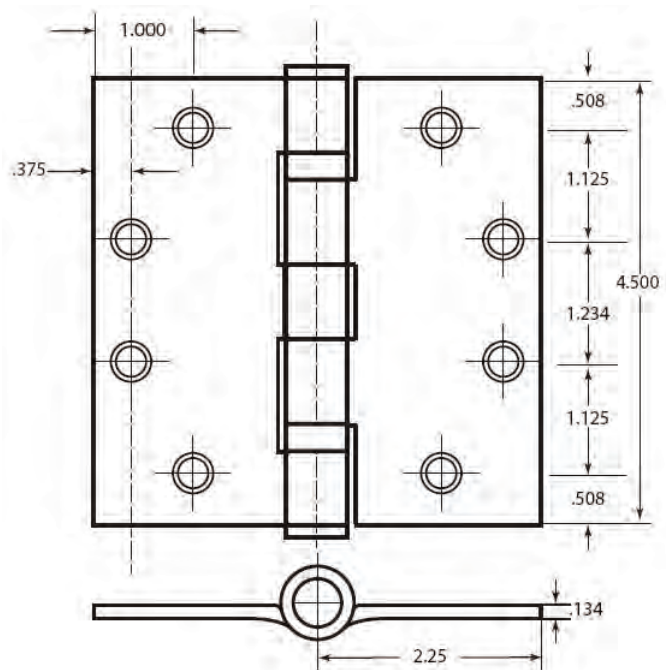
Compatible with

- Electrified Cylindrical Locks
- Electrified Mortise Locks
- Electrified Exit Devices
- Electric Trims

Finish Availability

(other finishes available upon request with lead-time)

- US10B – 640 – Oil Rubbed Bronze
- US26 – 651 – Bright Chrome
- US26D – 652 – Satin Chrome



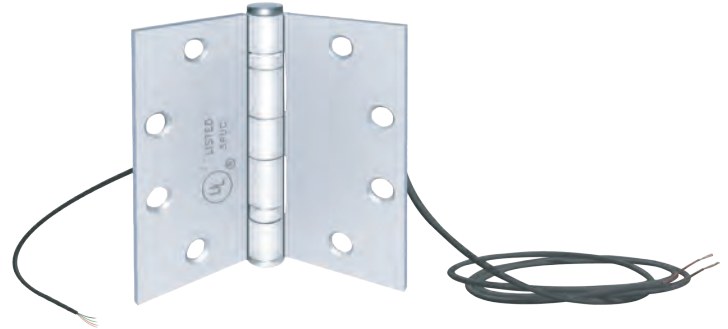
Model: EPTH10

4.5" x 4.5" Electric Power Transfer Hinge with Concealed Wires



Descriptions

- UL 10B / 10C Listed for 3Hr rated doors
- 800,000 cycles. 8 times UL test criteria
- 10 Conductors
- 1 Amp @ 12/24V per pair
- Wire replacement warranty
- 4-1/2' cable standard
- Material: Steel material with Steel barrel



Applications

Installed in the center hinge position of the door, EPTH Power Transfer Hinges provide the concealed wires required between the door and the frame, for the purpose of powering and monitoring electric door hardware.

Compatible with

- Electrified Cylindrical Locks
- Electrified Mortise Locks
- Electrified Exit Devices
- Electric Trims

Finish Availability

(other finishes available upon request with lead-time)

- US10B – 640 – Oil Rubbed Bronze
- US26 – 651 – Bright Chrome
- US26D – 652 – Satin Chrome

