

EF9100LBR

Less Bottom Rod



FEATURES & OPTIONS

Door Height

For all doors up to 7'0" or 8'0" high

Door Width

For all doors up to 36" or 48" wide

Stile

2-5/8" minimum for single doors and standard 5/8" stop

Material

Cover: Stainless steel, zinc

Cover Tube: Aluminum

End Cap: Zinc

Dogging

No dogging on fire rated devices

Strike (Top)

Solid stainless steel

Top Latch

1/2" throw, Pullman type with automatic dead-latching,

Stainless steel

Fire Bolt

Auxiliary spring loaded latchbolt, when exposed to fire latchbolt releases keeping the door closed and regulated

Mounting

Furnished standard with wood, machine screws and thru-bolts

Handing

Non-handed

Projection

3" maximum projection, 2-5/8" when depressed

Operation

Exit by slight pressure on any point on the push bar at all time

Electric Latch Retraction

Available with Electric Latch Retraction (ELR)

SPECIFICATIONS

Exit Device: Exit device shall be by Pamex model # **EF9100LBR** for standard exit opening. All exit devices shall be modern push pad type with vertical latching and auxiliary spring fire bolt, non-handed and provided with thru bolts for proper installation. EF9100LBR is UL listed for 3 hour fire and egress. Exit device shall be narrow profile; projecting only 3" from the surface of the door.

WARRANTY

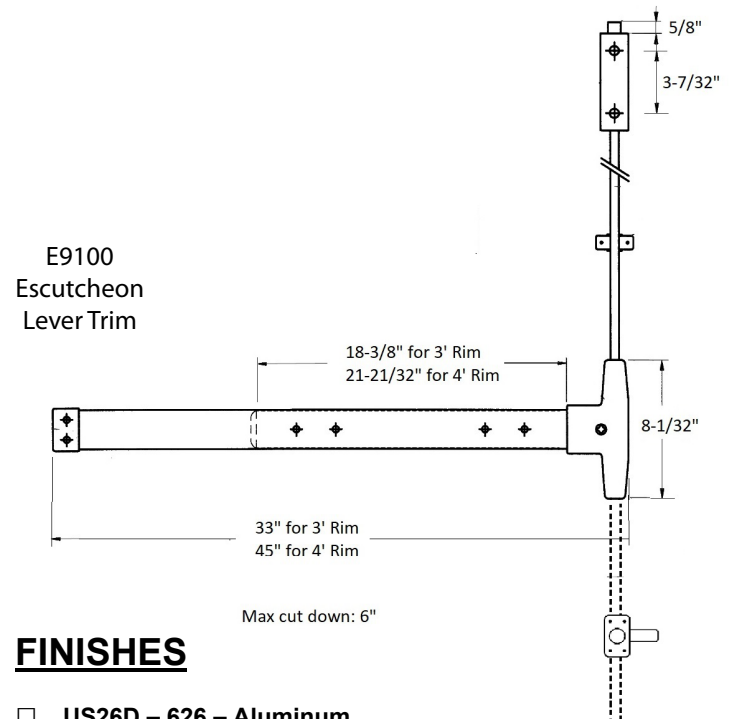
- Life-Time mechanical warranty
- Five years finish warranty



CODE COMPLIANCE

- ANSI A156.3, Grade 1
- UL listed for Panic and UL10C, UBC 7-2-1997 codes
- UL 3 Hours Fire Rated

AVAILABLE TRIMS



FINISHES

- US26D – 626 – Aluminum
- US10B – 695 – Dark Bronze
- US32D – 630 – Stainless Steel