

E9100

Rim Type



FEATURES & OPTIONS

Door Width

For all doors up to 36" or 48" wide

Stile

2-5/8" minimum for single doors and standard 5/8" stop

Material

Cover: Stainless steel, zinc

Cover Tube: Aluminum

End Cap: Zinc

Dogging

1/4" turn, hex key dogging (non-fire rated only, E9100)

Strike

Stainless steel with plated rollers

Latch Bolts

3/4" throw, Pullman type with automatic dead-latching, Stainless steel

Mounting

Furnished standard with wood, machine screws and thru-bolts

Handing

Non-handed

Projection

3" maximum projection, 2-5/8" when depressed

Operation

Exit by slight pressure on any point on the push bar at all time

Electric Latch Retraction

Available with Electric Latch Retraction (ELR)

SPECIFICATIONS

Exit Device: Exit device shall be by **Pamex** model # **E9100** for standard exit opening. All exit devices shall be modern push pad type, non-handed. Hex-key dogging shall be provided only on non-fire rated exit device. Exit device shall be narrow profile; projecting only 3" from the surface of the door.

FINISHES

- US26D - 626 - Aluminum
- US10B - 695 - Dark Bronze
- US32D - 630 - Stainless Steel
- 313 - 622 - Black

WARRANTY

Life-Time mechanical warranty

Five years finish warranty



CODE COMPLIANCE

ANSI A156.3, Grade 1

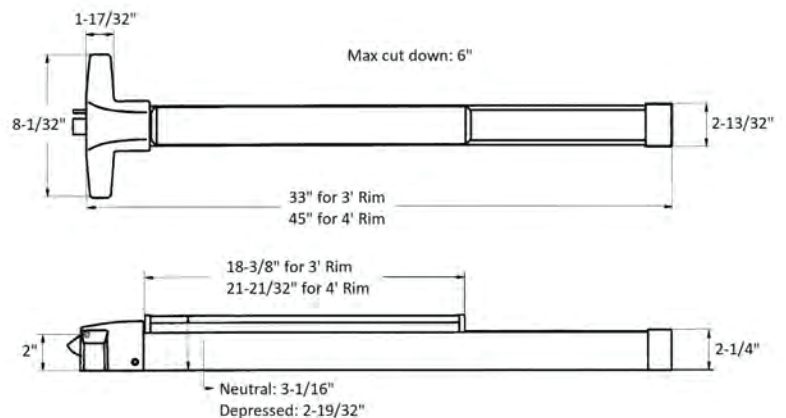
UL listed for Panic and UL10C, UBC 7-2-1997

codes

AVAILABLE TRIMS



E9100
Escutcheon
Lever Trim



EF9100

Rim Type



FEATURES & OPTIONS

Door Width

For all doors up to 36" or 48" wide

Stile

2-5/8" minimum for single doors and standard 5/8" stop

Material

Cover: Stainless steel, zinc

Cover Tube: Aluminum

End Cap: Zinc

Dogging

No dogging on fire rated devices

Strike

Solid stainless steel

Latch Bolts

3/4" throw stainless steel, Pullman type with automatic dead-latching

Mounting

Furnished standard with wood, machine screws and thru-bolts

Handing

Non-handed

Projection

3" maximum projection, 2-5/8" when depressed

Operation

Exit by slight pressure on any point on the push bar at all time

Electric Latch Retraction

Available with Electric Latch Retraction (ELR)

SPECIFICATIONS

Exit Device: Exit device shall be by Pamex model # EF9100 for UL fire barrier doors. All exit devices shall be modern push pad type, non-handed and provided with thru bolts for proper installation. EF9100 is UL listed for 3 hour fire and egress. Exit device shall be narrow profile; projecting only 3" from the surface of the door.

FINISHES

- US26D – 626 – Aluminum
- US10B – 695 – Dark Bronze
- US32D – 630 – Stainless Steel
- 313 - 622 - Black

WARRANTY

Life-Time mechanical warranty

Five years finish warranty



CODE COMPLIANCE

ANSI A156.3, Grade 1

UL listed for Panic and UL10C, UBC 7-2-1997

codes

UL 3 Hours Fire Rated

AVAILABLE TRIMS



E9100
Escutcheon
Lever Trim

