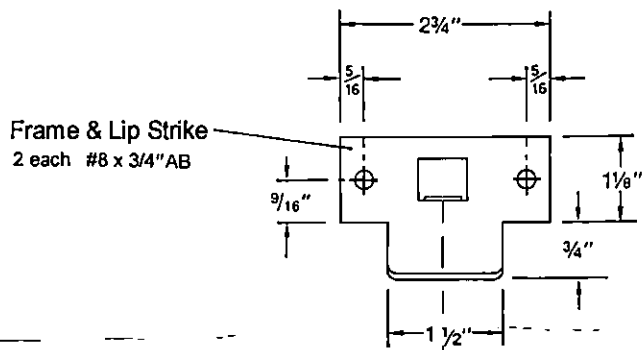
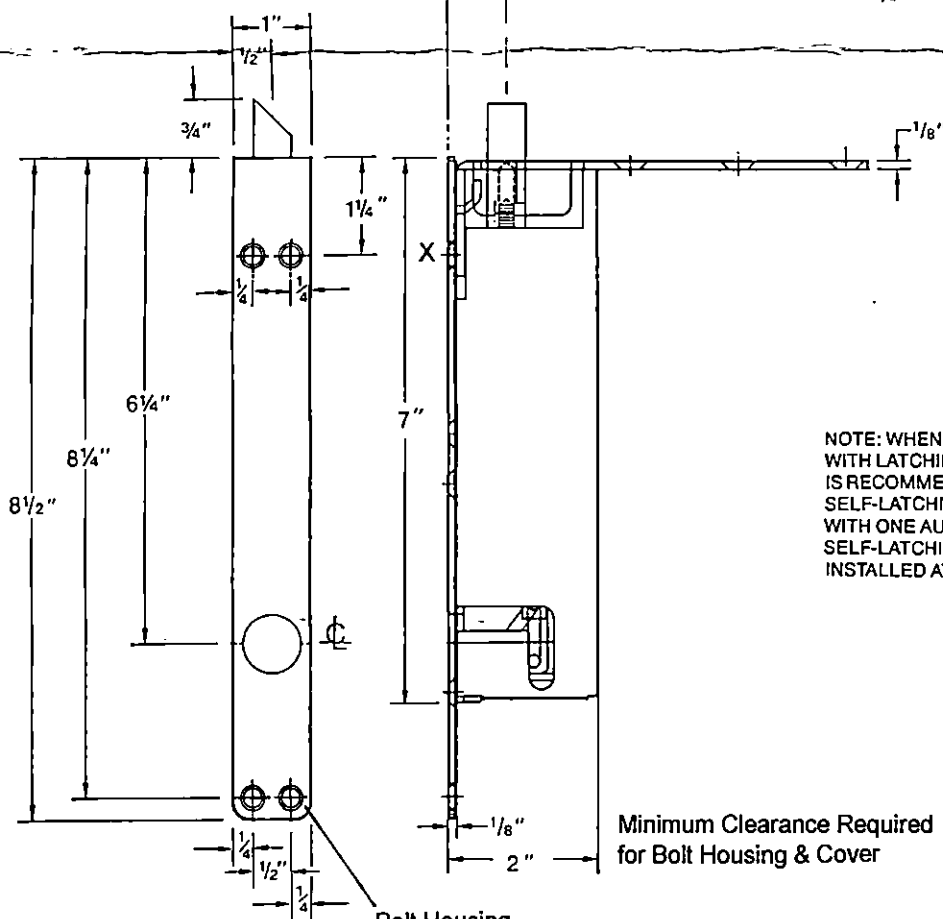
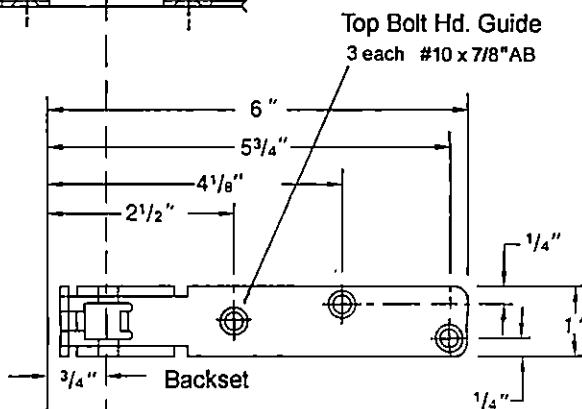
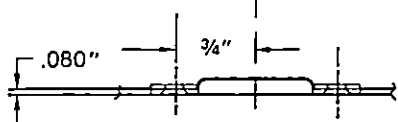


CONSTANT LATCHING FLUSH BOLT (FOR WOOD DOORS APPLICATION)



DIMENSIONS SHOWN ON THIS TEMPLATE ARE FOR TOP FLUSH BOLTS.



NOTE: WHEN TWO-POINT ENGAGING WITH LATCHING ACTION IS REQUIRED, IT IS RECOMMENDED THAT ONE CONSTANT, SELF-LATCHING FLUSH BOLT BE USED WITH ONE AUTOMATIC FLUSH BOLT. SELF-LATCHING BOLT SHOULD BE INSTALLED AT TOP OF DOOR.

Minimum Clearance Required for Bolt Housing & Cover

Bolt Housing
2 each #8 x 3/4" AB (The short screws are seated into the holes of bolt housing
2 each #8-32 x 3/8" UNC as shown mark X, where faces the Bolt Extension Rod.)

SCREW DETAILS : #8-32 x 3/8" UNC - flat countersunk head machine screw, total 2 pcs.
#8 x 3/4" AB - undercut flat countersunk head, dual purpose machine/tapping screw, total 4 pcs.
#10 x 7/8" AB - flat countersunk head tapping screw, total 3 pcs.