

18" x 3/4" Towel Bar (round bar)

Model: BC6-13818

Features

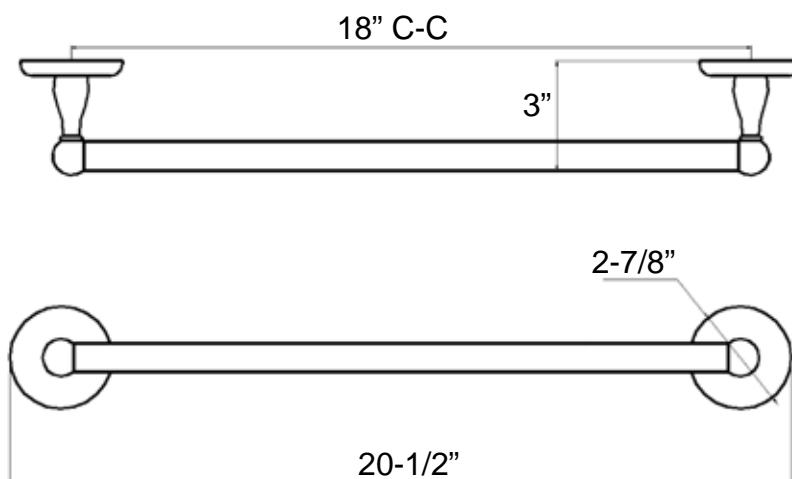
- Material: Zinc Die-cast
- Concealed Surface Mount Application
- Provided with
 - Mounting Plate: 2-3/16" x 1"
 - Plastic Anchors x 4
 - Steel Phillips Head Screws #8 x 1-1/4"
- Projection: 3" from Mounting Surface
- Overall Size: 20-1/2" x 2-7/8"

Carmel
Collection



Available Finish

- | | |
|---|--|
| <input type="checkbox"/> Chrome | <input type="checkbox"/> Satin Nickel |
| <input type="checkbox"/> Polished Brass | <input type="checkbox"/> Oil Rubbed Bronze |
| <input type="checkbox"/> Chrome / Brass | <input type="checkbox"/> Dark Bronze |



24" x 3/4" Towel Bar (round bar)

Model: BC6-13824

Features

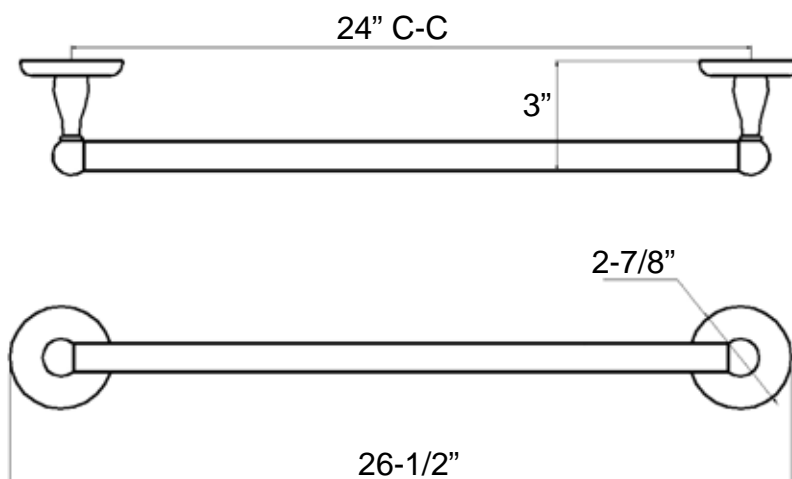
- Material: Zinc Die-cast
- Concealed Surface Mount Application
- Provided with
 - Mounting Plate: 2-3/16" x 1"
 - Plastic Anchors x 4
 - Steel Phillips Head Screws #8 x 1-1/4"
- Projection: 3" from Mounting Surface
- Overall Size: 26-1/2" x 2-7/8"

Carmel
Collection



Available Finish

- | | |
|---|--|
| <input type="checkbox"/> Chrome | <input type="checkbox"/> Satin Nickel |
| <input type="checkbox"/> Polished Brass | <input type="checkbox"/> Oil Rubbed Bronze |
| <input type="checkbox"/> Chrome / Brass | <input type="checkbox"/> Dark Bronze |



30" x 3/4" Towel Bar (round bar)

Model: BC6-13830

Features

- Material: Zinc Die-cast
- Concealed Surface Mount Application
- Provided with
 - Mounting Plate: 2-3/16" x 1"
 - Plastic Anchors x 4
 - Steel Phillips Head Screws #8 x 1-1/4"
- Projection: 3" from Mounting Surface
- Overall Size: 32-1/2" x 2-7/8"

Carmel
Collection



Available Finish

- | | |
|---|--|
| <input type="checkbox"/> Chrome | <input type="checkbox"/> Satin Nickel |
| <input type="checkbox"/> Polished Brass | <input type="checkbox"/> Oil Rubbed Bronze |
| <input type="checkbox"/> Chrome / Brass | <input type="checkbox"/> Dark Bronze |

