

Single Robe Hook

Model: BC5-21

Features

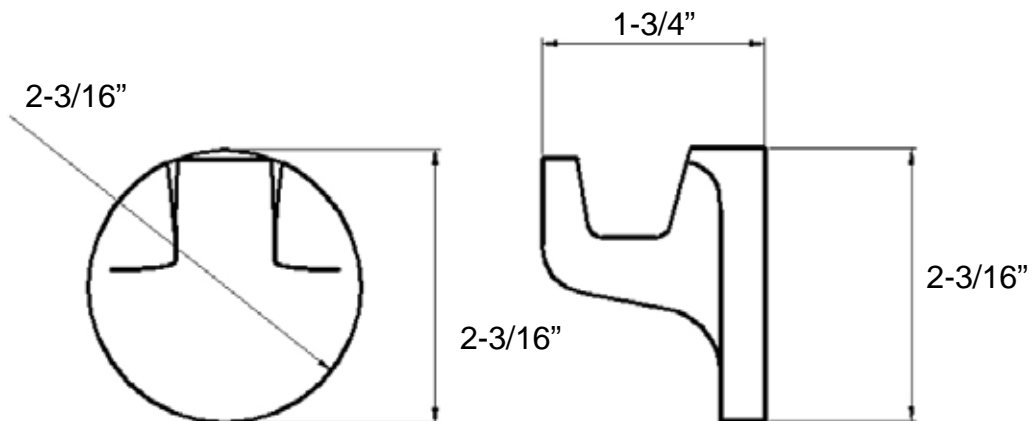
- Material: Zinc Die-cast
- Concealed Surface Mount Application
- Provided with
 - Mounting Plate: 1-13/16" dia.
 - Plastic Anchors x 2
 - Steel Phillips Head Screws #8 x 1-1/4"
- Projection: 1-3/4" from Mounting Surface
- Overall Size: 2-3/16" x 2-3/16"

*Seal Beach
Collection*



Available Finish

- Chrome
- Polished Brass
- Satin Nickel
- Dark Bronze
- Matte Black



Metal Towel Ring

Model: BC5-30

Features

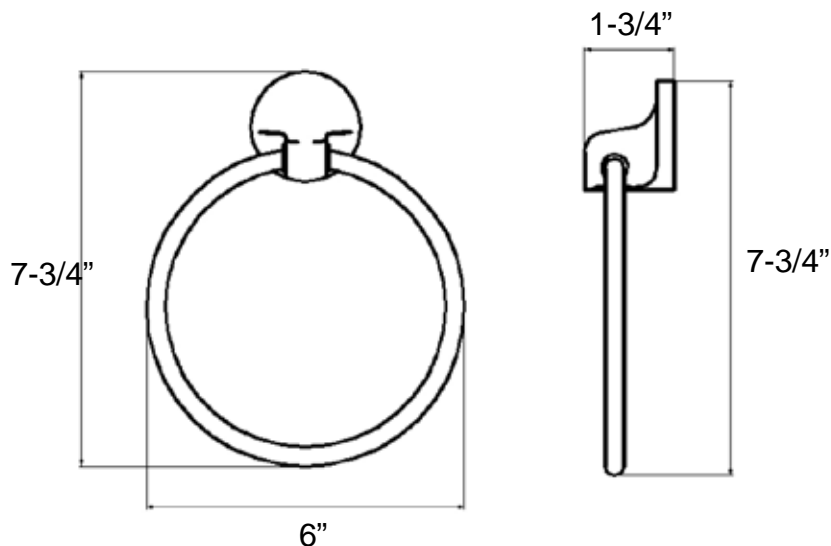
- Material: Zinc Die-cast
- Concealed Surface Mount Application
- Provided with
 - Mounting Plate: 1-13/16" dia.
 - Plastic Anchors x 2
 - Steel Phillips Head Screws #8 x 1-1/4"
- Projection: 1-3/4" from Mounting Surface
- Overall Size: 6" x 7-3/4"
- Ring: 6-1/2" Diameter

*Seal Beach
Collection*



Available Finish

- Chrome
- Polished Brass
- Satin Nickel
- Dark Bronze
- Matte Black



Surface Paper Holder

Model: BC5-42

Features

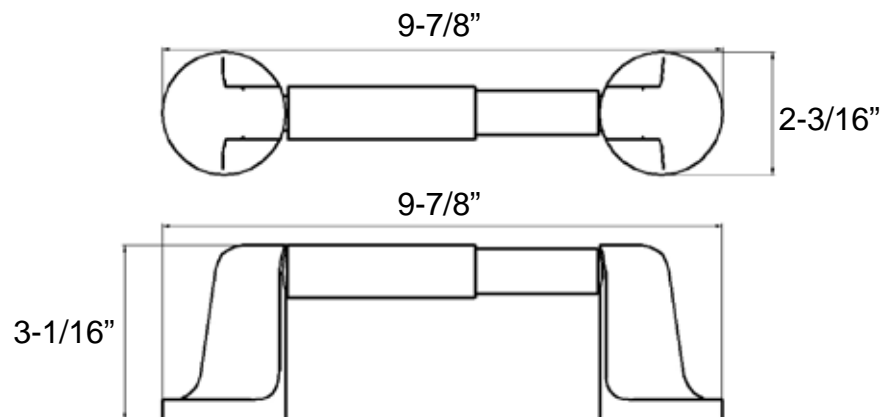
- Material: Zinc Die-cast
- Concealed Surface Mount Application
- Provided with
 - Mounting Plate: 1-13/16" dia.
 - Plastic Anchors x 4
 - Steel Phillips Head Screws #8 x 1-1/4"
- Projection: 3-1/16" from Mounting Surface
- Spring-Loaded Plastic Paper Holder Roller 7/8" Diameter x 6"
- Overall Size: 9-7/8" x 3-1/16"

*Seal Beach
Collection*



Available Finish

- Chrome
- Polished Brass
- Satin Nickel
- Dark Bronze
- Matte Black



European-Style Paper Holder

Model: BC5-43

Features

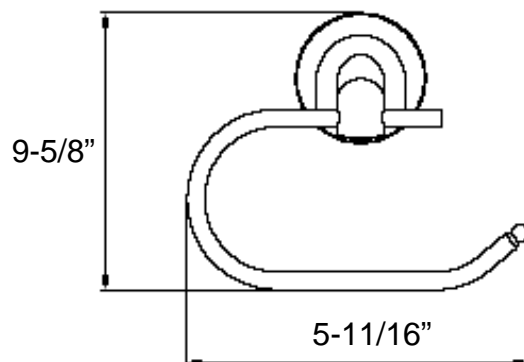
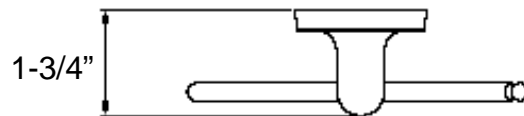
- Material: Zinc Die-cast
- Concealed Surface Mount Application
- Provided with
 - Mounting Plate: 1-13/16" dia.
 - Plastic Anchors x 2
 - Steel Phillips Head Screws #8 x 1-1/4"
- Projection: 1-3/4" from Mounting Surface
- Overall Size: 5-11/16 x 1-3/4"

*Seal Beach
Collection*



Available Finish

- Chrome
- Satin Nickel
- Dark Bronze
- Matte Black



Tooth Brush & Tumbler Holder

Model: BC5-50

Features

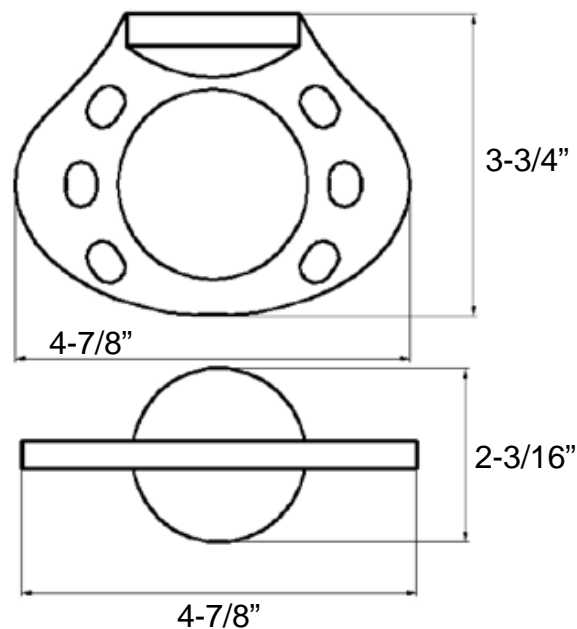
- Material: Zinc Die-cast
- Concealed Surface Mount Application
- Provided with
 - Mounting Plate: 1-13/16" dia.
 - Plastic Anchors x 2
 - Steel Phillips Head Screws #8 x 1-1/4"
- Projection: 3-3/4" from Mounting Surface
- Overall Size: 4-7/8" x 3-3/4"

*Seal Beach
Collection*



Available Finish

- Chrome
- Polished Brass
- Satin Nickel



Soap Holder

Model: BC5-60

Features

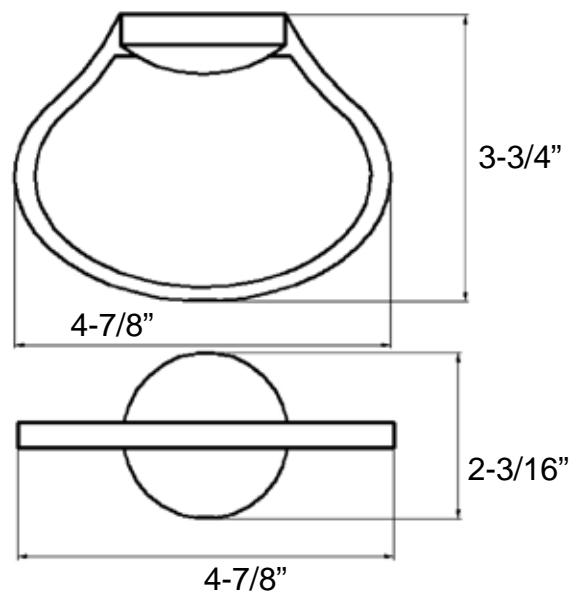
- Material: Zinc Die-cast
- Concealed Surface Mount Application
- Provided with
 - Mounting Plate: 1-13/16" dia.
 - Plastic Anchors x 2
 - Steel Phillips Head Screws #8 x 1-1/4"
- Projection: 3-3/4" from Mounting Surface
- Overall Size: 4-7/8" x 2-3/16"

*Seal Beach
Collection*



Available Finish

- Chrome
- Polished Brass
- Satin Nickel



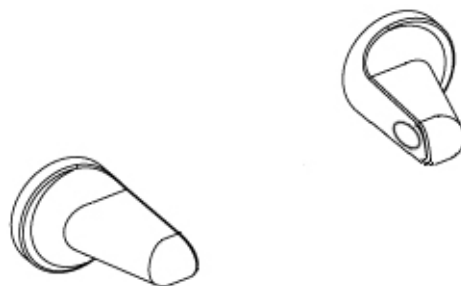
Towel Bar Post (3/4" round)

Model: BC5-13800

Features

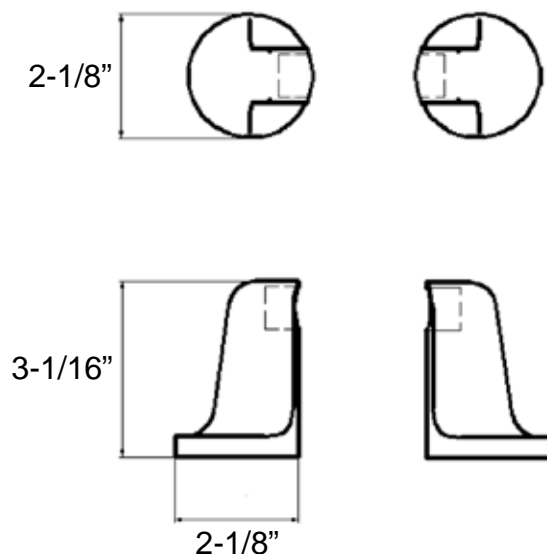
- Material: Zinc Die-cast
- Concealed Surface Mount Application
- Provided with
 - Mounting Plate: 1-13/16" dia.
 - Plastic Anchors x 4
 - Steel Phillips Head Screws #8 x 1-1/4"
- Projection: 3-1/16" from Mounting Surface
- Overall Size: 2-1/8" x 2-1/8"

*Seal Beach
Collection*



Available Finish

- Chrome
- Polished Brass
- Satin Nickel
- Dark Bronze
- Matte Black



18" x 3/4" Towel Bar

Model: BC5-13818

Features

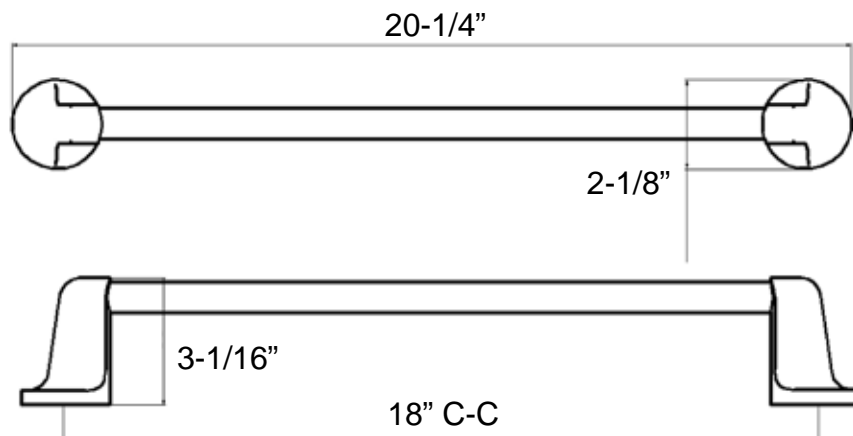
- Material: Zinc Die-cast
- Concealed Surface Mount Application
- Provided with
 - Mounting Plate: 1-13/16" dia.
 - Plastic Anchors x 4
 - Steel Phillips Head Screws #8 x 1-1/4"
- Projection: 3-1/16" from Mounting Surface
- Overall Size: 20-1/4" x 2-1/8"

*Seal Beach
Collection*



Available Finish

- Chrome
- Polished Brass
- Satin Nickel
- Dark Brozne
- Matte Black



24" x 3/4" Towel Bar

Model: BC5-13824

Features

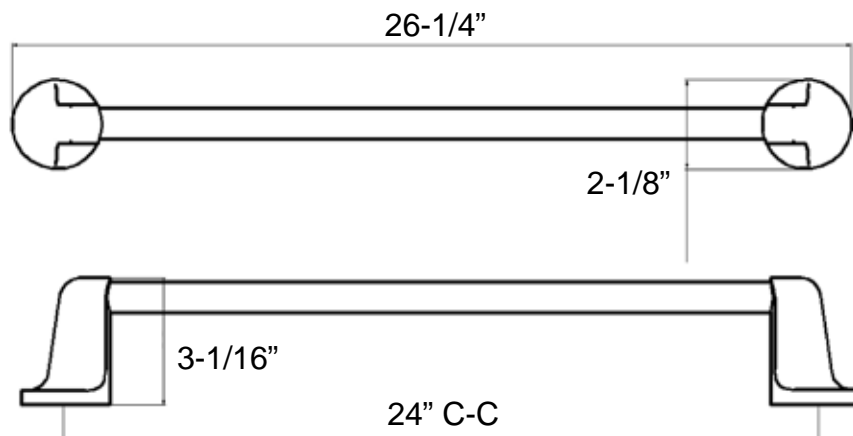
- Material: Zinc Die-cast
- Concealed Surface Mount Application
- Provided with
 - Mounting Plate: 1-13/16" dia.
 - Plastic Anchors x 4
 - Steel Phillips Head Screws #8 x 1-1/4"
- Projection: 3-1/16" from Mounting Surface
- Overall Size: 26-1/4" x 2-1/8"

*Seal Beach
Collection*



Available Finish

- Chrome
- Polished Brass
- Satin Nickel
- Dark Bronze
- Matte Black



30" x 3/4" Towel Bar

Model: BC5-13830

Features

- Material: Zinc Die-cast
- Concealed Surface Mount Application
- Provided with
 - Mounting Plate: 1-13/16" dia.
 - Plastic Anchors x 4
 - Steel Phillips Head Screws #8 x 1-1/4"
- Projection: 3-1/16" from Mounting Surface
- Overall Size: 32-1/4" x 2-1/8"

*Seal Beach
Collection*



Available Finish

- Chrome
- Polished Brass
- Satin Nickel
- Dark Bronze
- Matte Black

