

## Double Robe Hook

Model: BC3-22

### Features

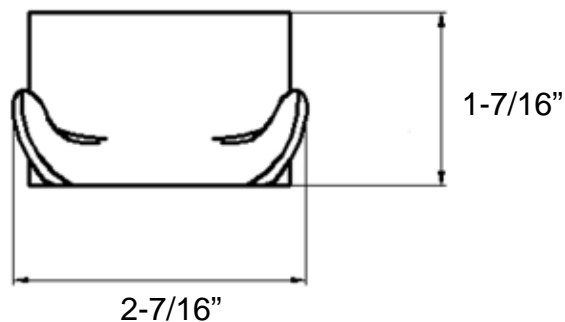
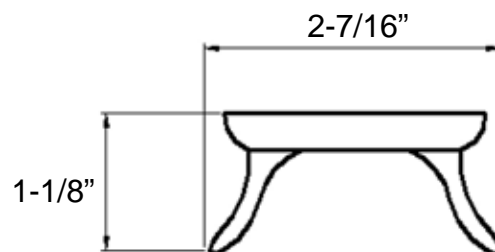
- Material: Zinc Die-cast
- Concealed Surface Mount Application
- Provided with
  - Mounting Plate: 1-3/4" x 1"
  - Plastic Anchors x 2
  - Steel Phillips Head Screws #8 x 1-1/4"
- Projection: 1-1/8" from Mounting Surface
- Overall Size: 2-7/16" X 1-7/16"

*Corona*  
*Collection*



### Available Finish

- Chrome
- Polished Brass
- Satin Nickel
- Dark Bronze
- Matte Black



## Towel Ring

Model: BC3-30

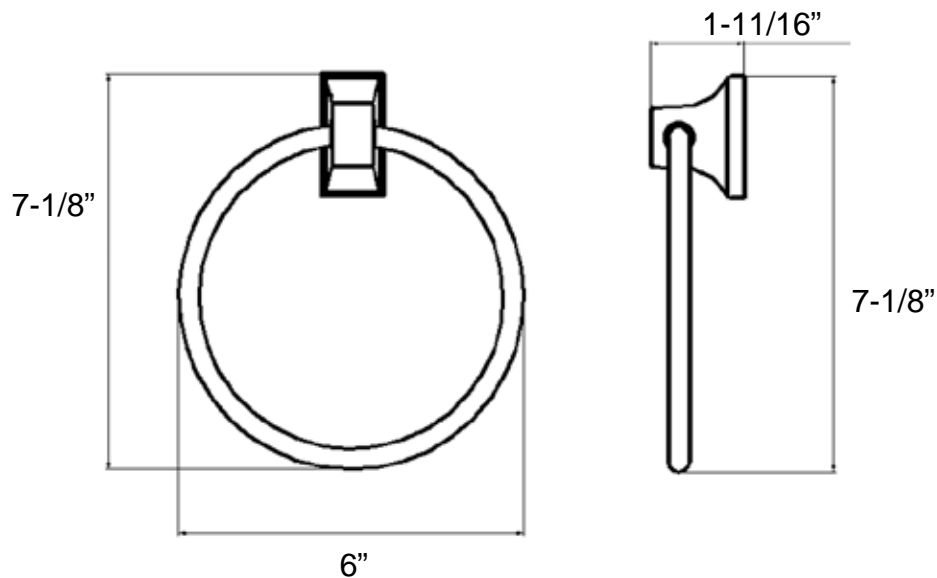
### Features

- Material: Zinc Die-cast
- Concealed Surface Mount Application
- Provided with
  - Mounting Plate: 1-13/16" x 1"
  - Plastic Anchors x 2
  - Steel Phillips Head Screws #8 x 1-1/4"
- Projection: 1-11/16" from Mounting Surface
- Overall Size: 6" x 7-1/8"
- Ring: 6" Diameter

### Available Finish

- Chrome
- Polished Brass
- Satin Nickel
- Dark Bronze
- Matte Black

## Corona Collection



## Surface Paper Holder (white roller)

Model: BC3-41

*Corona  
Collection*

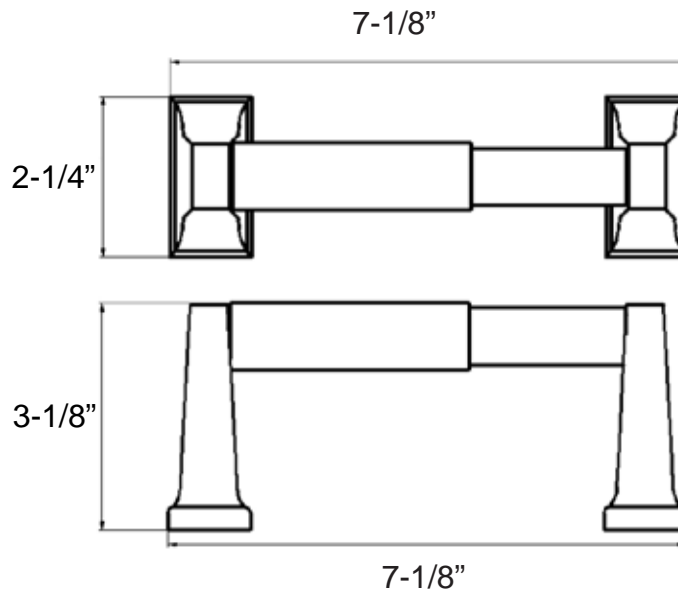
### Features

- Material: Zinc Die-cast
- Concealed Surface Mount Application
- Provided with
  - Mounting Plate: 1-3/4" x 1"
  - Plastic Anchors x 4
  - Steel Phillips Head Screws #8 x 1-1/4"
- Projection: 3-1/8" from Mounting Surface
- Spring-Loaded Plastic Paper Holder Roller  
7/8" Diameter x 6"
- Overall Size: 7-1/8" x 2-1/4"



### Available Finish

- Chrome
- Polished Brass
- Satin Nickel
- Dark Bronze
- Matte Black



## Surface Paper Holder

Model: BC3-42

### Features

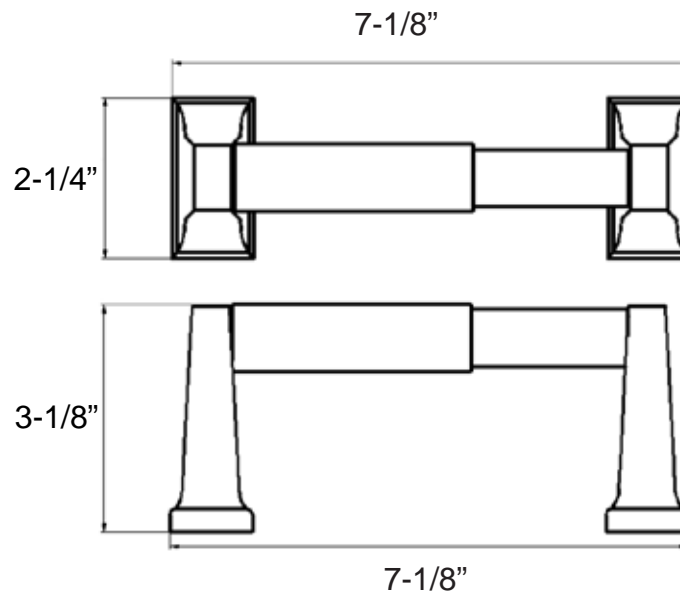
- Material: Zinc Die-cast
- Concealed Surface Mount Application
- Provided with
  - Mounting Plate: 1-3/4" x 1"
  - Plastic Anchors x 4
  - Steel Phillips Head Screws #8 x 1-1/4"
- Projection: 3-1/8" from Mounting Surface
- Spring-Loaded Plastic Paper Holder Roller 7/8" Diameter x 6"
- Overall Size: 7-1/8" x 2-1/4"

*Corona  
Collection*



### Available Finish

- Chrome
- Polished Brass
- Satin Nickel
- Dark Bronze
- Matte Black



## Tooth Brush & Tumbler Holder

Model: BC3-50

### Features

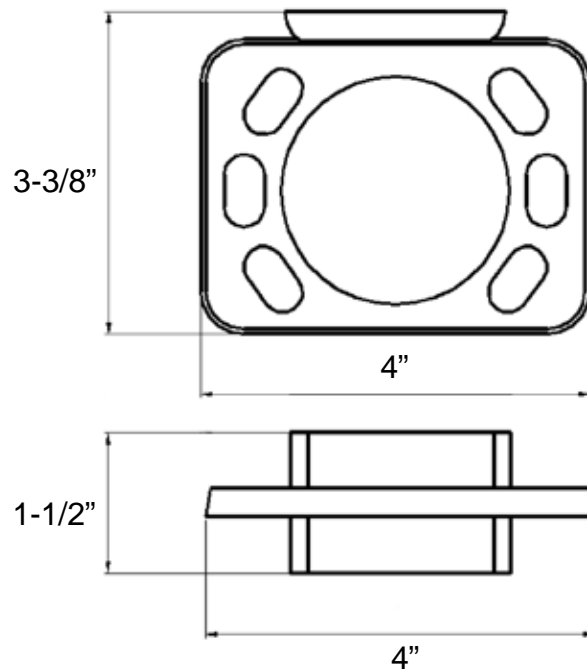
- Material: Zinc Die-cast
- Concealed Surface Mount Application
- Provided with
  - Mounting Plate: 1-3/4" x 1-1/8"
  - Plastic Anchors x 2
  - Steel Phillips Head Screws #8 x 1-1/4"
- Projection: 3-3/8" from Mounting Surface
- Overall Size: 4" x 1-1/2"

*Corona  
Collection*



### Available Finish

- Chrome
- Polished Brass



## Soap Dish

Model: BC3-60

### Features

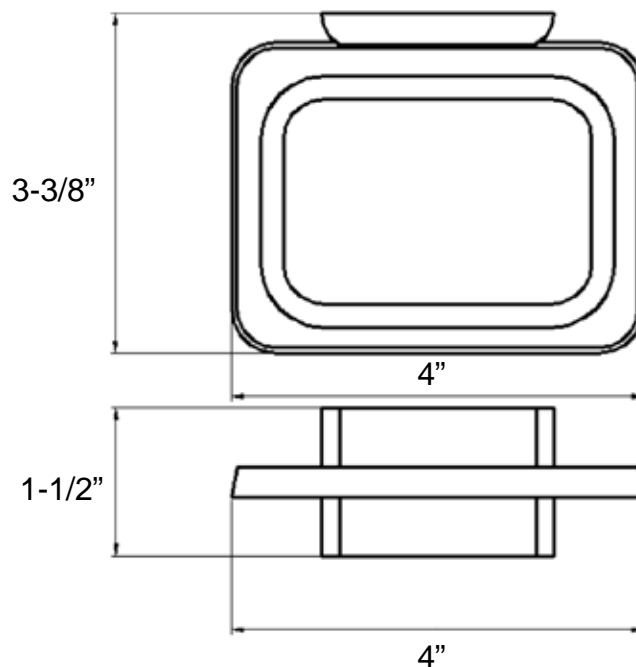
- Material: Zinc Die-cast
- Concealed Surface Mount Application
- Provided with
  - Mounting Plate: 1-3/4" x 1-1/8"
  - Plastic Anchors x 2
  - Steel Phillips Head Screws #8 x 1-1/4"
- Projection: 3-3/8" from Mounting Surface
- Overall Size: 4" x 1-1/2"

*Corona*  
*Collection*



### Available Finish

- Chrome
- Polished Brass



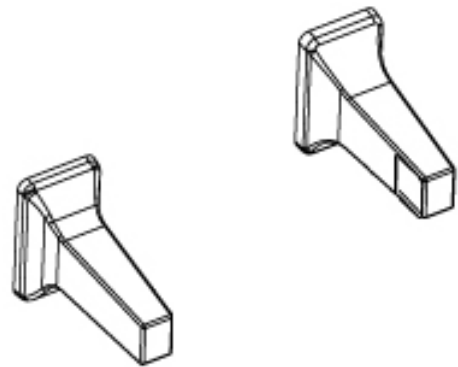
### Towel Bar Post (3/4" square)

Model: BC3-13800

#### Features

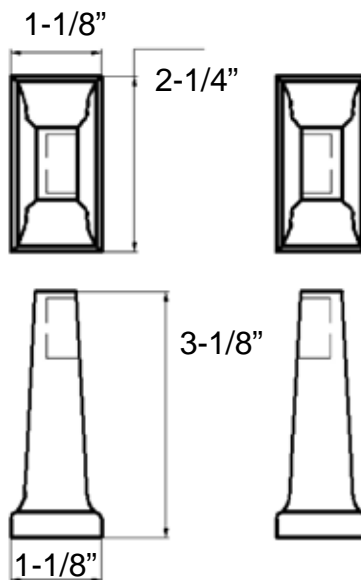
- Material: Zinc Die-cast
- Concealed Surface Mount Application
- Provided with
  - Mounting Plate: 1-3/4" x 1"
  - Plastic Anchors x 4
  - Steel Phillips Head Screws #8 x 1-1/4"
- Projection: 3-1/8" from Mounting Surface
- Overall Size: 1-1/8" x 2-1/4"

### Corona Collection



#### Available Finish

- Chrome
- Polished Brass
- Satin Nickel
- Dark Bronze
- Matte Black



## 18" x 3/4" Towel Bar (square bar)

Model: BC3-13818

### Features

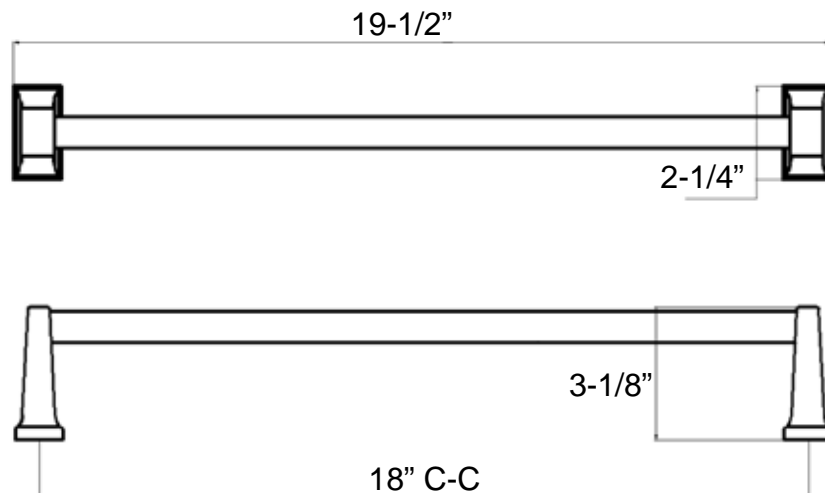
- Material: Zinc Die-cast
- Concealed Surface Mount Application
- Provided with
  - Mounting Plate: 1-3/4" x 1"
  - Plastic Anchors x 4
  - Steel Phillips Head Screws #8 x 1-1/4"
- Projection: 3-1/8" from Mounting Surface
- Overall Size: 19-1/2" x 2-1/4"

*Corona  
Collection*



### Available Finish

- Chrome
- Polished Brass
- Satin Nickel
- Dark Bronze
- Matte Black





## 24" x 3/4" Towel Bar (square bar)

Model: BC3-13824

### Features

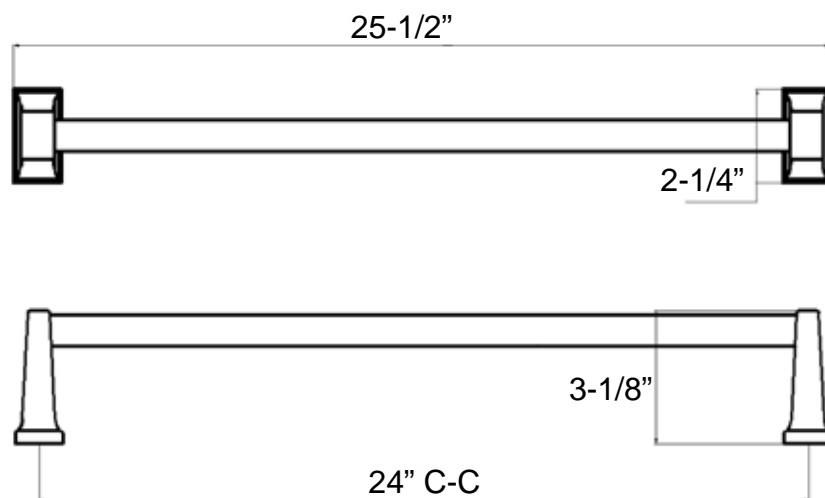
- Material: Zinc Die-cast
- Concealed Surface Mount Application
- Provided with
  - Mounting Plate: 1-3/4" x 1"
  - Plastic Anchors x 4
  - Steel Phillips Head Screws #8 x 1-1/4"
- Projection: 3-1/8" from Mounting Surface
- Overall Size: 25-1/2" x 2-1/4"

*Corona*  
*Collection*



### Available Finish

- Chrome
- Polished Brass
- Satin Nickel
- Dark Bronze
- Matte Black



## 30" x 3/4" Towel Bar (square bar)

Model: BC3-13830

### Features

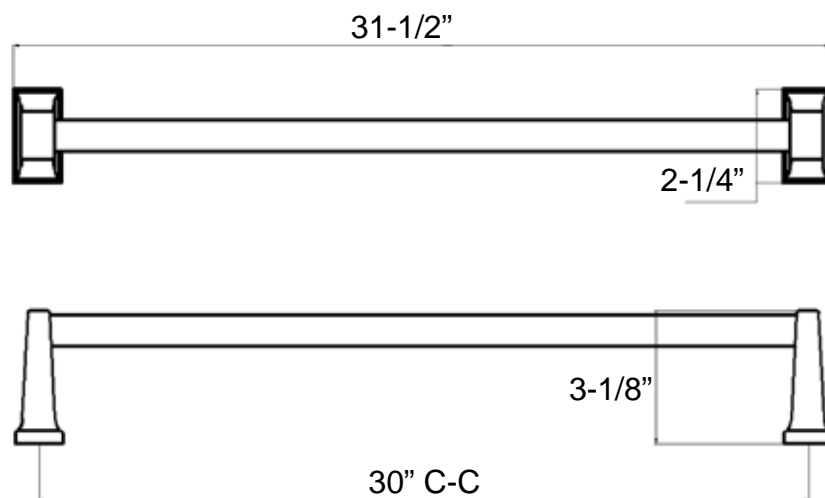
- Material: Zinc Die-cast
- Concealed Surface Mount Application
- Provided with
  - Mounting Plate: 1-3/4" x 1"
  - Plastic Anchors x 4
  - Steel Phillips Head Screws #8 x 1-1/4"
- Projection: 3-1/8" from Mounting Surface
- Overall Size: 31-1/2" x 2-1/4"

*Corona*  
*Collection*



### Available Finish

- Chrome
- Polished Brass
- Satin Nickel
- Dark Bronze
- Matte Black



## 36" x 3/4" Towel Bar (square bar)

Model: BC3-13836

### Features

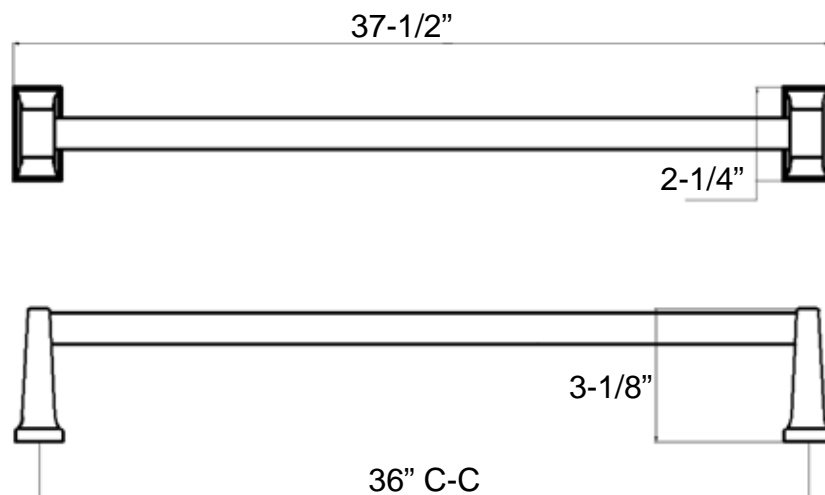
- Material: Zinc Die-cast
- Concealed Surface Mount Application
- Provided with
  - Mounting Plate: 1-3/4" x 1"
  - Plastic Anchors x 4
  - Steel Phillips Head Screws #8 x 1-1/4"
- Projection: 3-1/8" from Mounting Surface
- Overall Size: 37-1/2" x 2-1/4"

*Corona*  
*Collection*



### Available Finish

- Chrome



## 18" x 5/8" Towel Bar (round bar)

Model: BC3-15818

### Features

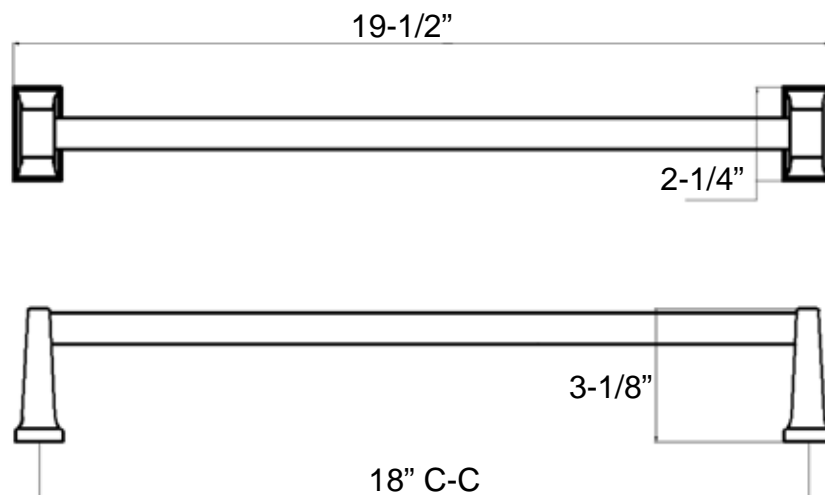
- Material: Zinc Die-cast
- Concealed Surface Mount Application
- Provided with
  - Mounting Plate: 1-3/4" x 1"
  - Plastic Anchors x 4
  - Steel Phillips Head Screws #8 x 1-1/4"
- Projection: 3-1/8" from Mounting Surface
- Overall Size: 19-1/2" x 2-1/4"

*Corona*  
*Collection*



### Available Finish

- Chrome
- Satin Nickel
- Dark Bronze
- Matte Black



### 24" x 5/8" Towel Bar (round bar)

Model: BC3-15824

#### Features

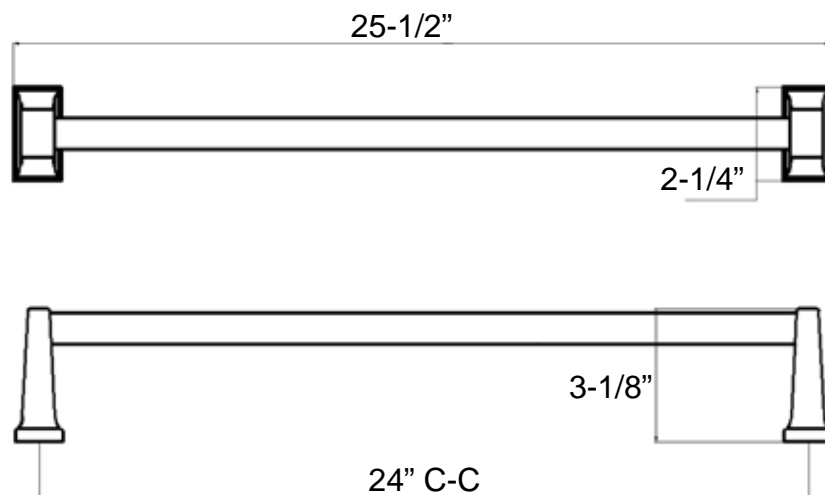
- Material: Zinc Die-cast
- Concealed Surface Mount Application
- Provided with
  - Mounting Plate: 1-3/4" x 1"
  - Plastic Anchors x 4
  - Steel Phillips Head Screws #8 x 1-1/4"
- Projection: 3-1/8" from Mounting Surface
- Overall Size: 25-1/2" x 2-1/4"

*Corona*  
*Collection*



#### Available Finish

- Chrome
- Satin Nickel
- Dark Bronze
- Matte Black



## 30" x 5/8" Towel Bar (round bar)

Model: BC3-15830

### Features

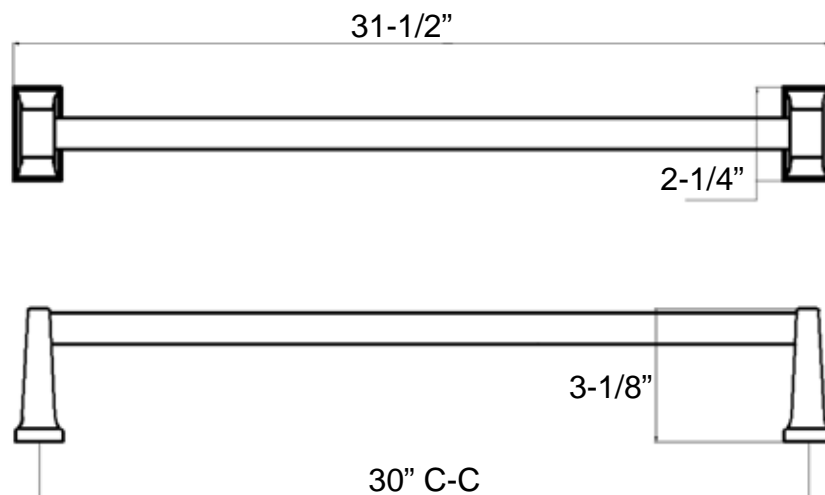
- Material: Zinc Die-cast
- Concealed Surface Mount Application
- Provided with
  - Mounting Plate: 1-3/4" x 1"
  - Plastic Anchors x 4
  - Steel Phillips Head Screws #8 x 1-1/4"
- Projection: 3-1/8" from Mounting Surface
- Overall Size: 31-1/2" x 2-1/4"

*Corona*  
*Collection*



### Available Finish

- Chrome
- Satin Nickel
- Dark Bronze
- Matte Black



## 18" x 3/4" Towel Bar (square bar)

Model: BC3SS-13818

*Corona  
Collection*

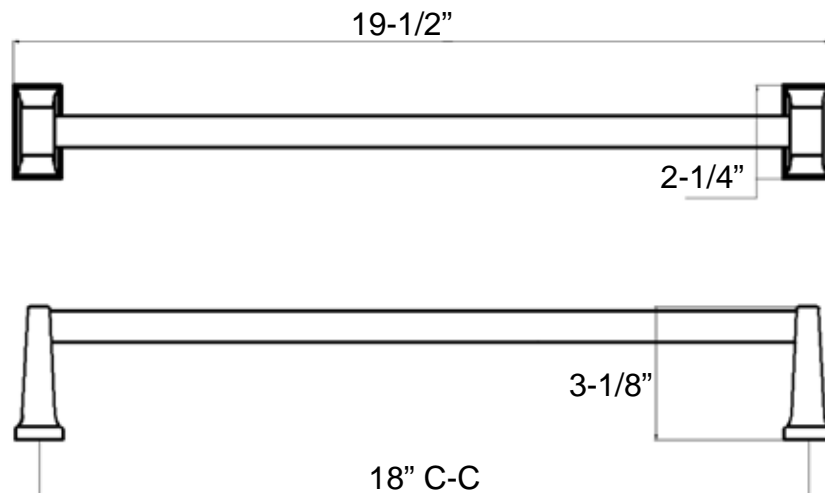
### Features

- Material: Post – Zinc Die-cast  
Bar – 304 Stainless Steel
- Concealed Surface Mount Application
- Provided with
  - Mounting Plate: 1-3/4" x 1"
  - Plastic Anchors x 4
  - Steel Phillips Head Screws #8 x 1-1/4"
- Projection: 3-1/8" from Mounting Surface
- Overall Size: 19-1/2" x 2-1/4"



### Available Finish

- Stainless Steel



## 24" x 3/4" Towel Bar (square bar)

Model: BC3SS-13824

*Corona  
Collection*

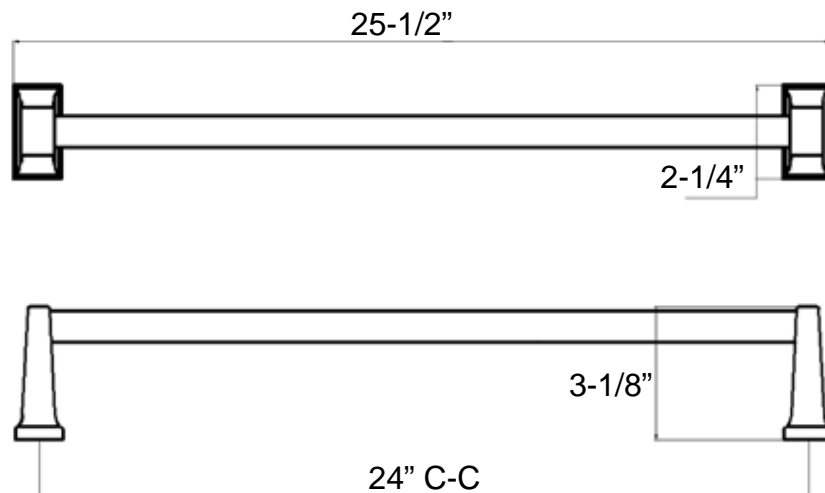
### Features

- Material: Post – Zinc Die-cast  
Bar – 304 Stainless Steel
- Concealed Surface Mount Application
- Provided with
  - Mounting Plate: 1-3/4" x 1"
  - Plastic Anchors x 4
  - Steel Phillips Head Screws #8 x 1-1/4"
- Projection: 3-1/8" from Mounting Surface
- Overall Size: 25-1/2" x 2-1/4"



### Available Finish

- Stainless Steel





## 30" x 3/4" Towel Bar (square bar)

Model: BC3SS-13830

*Corona  
Collection*

### Features

- Material: Post – Zinc Die-cast  
Bar – 304 Stainless Steel
- Concealed Surface Mount Application
- Provided with
  - Mounting Plate: 1-3/4" x 1"
  - Plastic Anchors x 4
  - Steel Phillips Head Screws #8 x 1-1/4"
- Projection: 3-1/8" from Mounting Surface
- Overall Size: 31-1/2" x 2-1/4"



### Available Finish

- Stainless Steel

