

18" x 3/4" Towel Bar (round bar)

Model: BC14-15818

Vina
Collection

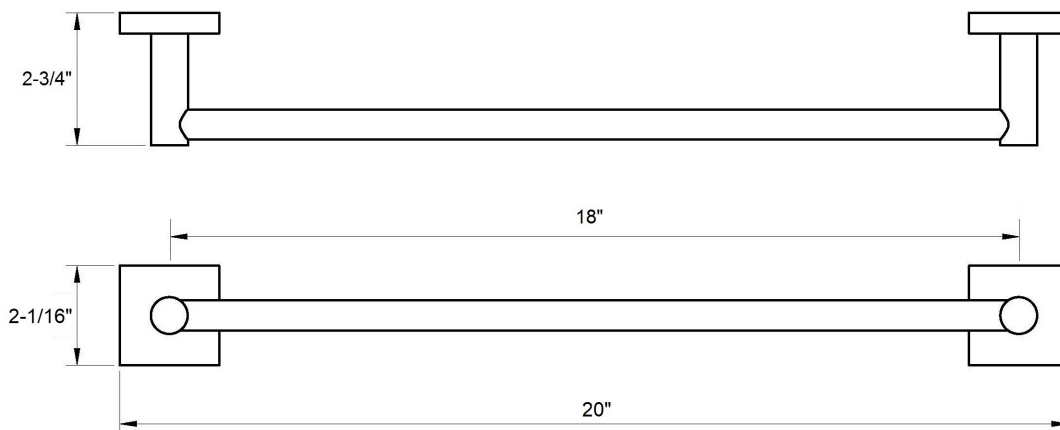
Features

- Material: Zinc Die-cast
- Concealed Surface Mount Application
- Provided with
 - Mounting Plate
 - Plastic Anchors x 4
 - Steel Phillips Head Screws #8 x 1-1/4"
- Projection: 1-3/8" from Mounting Surface
- Overall Size: 20" x 2-1/16"



Available Finish

- Satin Nickel
- Polished Chrome
- Matte Black



24" x 3/4" Towel Bar (round bar)

Model: BC14-15824

Features

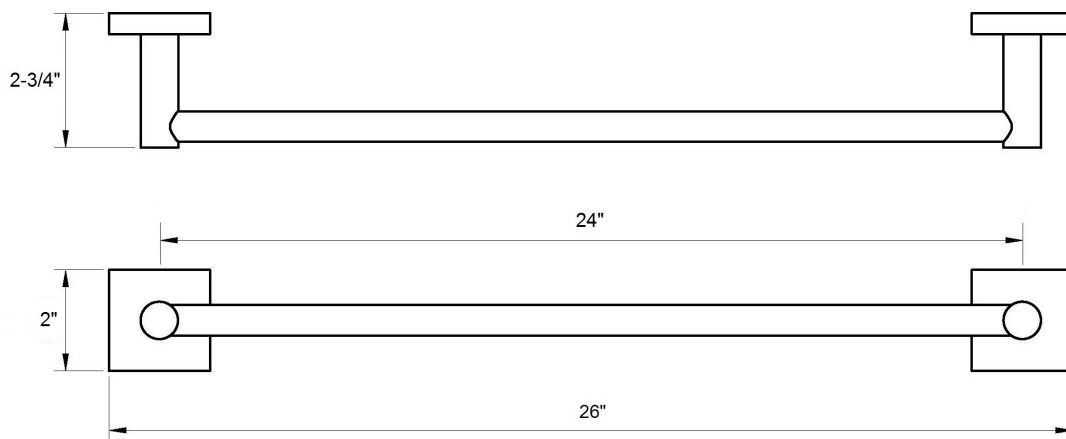
- Material: Zinc Die-cast
- Concealed Surface Mount Application
- Provided with
 - Mounting Plate
 - Plastic Anchors x 4
 - Steel Phillips Head Screws #8 x 1-1/4"
- Projection: 1-3/8" from Mounting Surface
- Overall Size: 26" x 2-1/8"

Vina
Collection



Available Finish

- Satin Nickel
- Polished Chrome
- Matte Black



30" x 3/4" Towel Bar (round bar)

Model: BC14-15830

Features

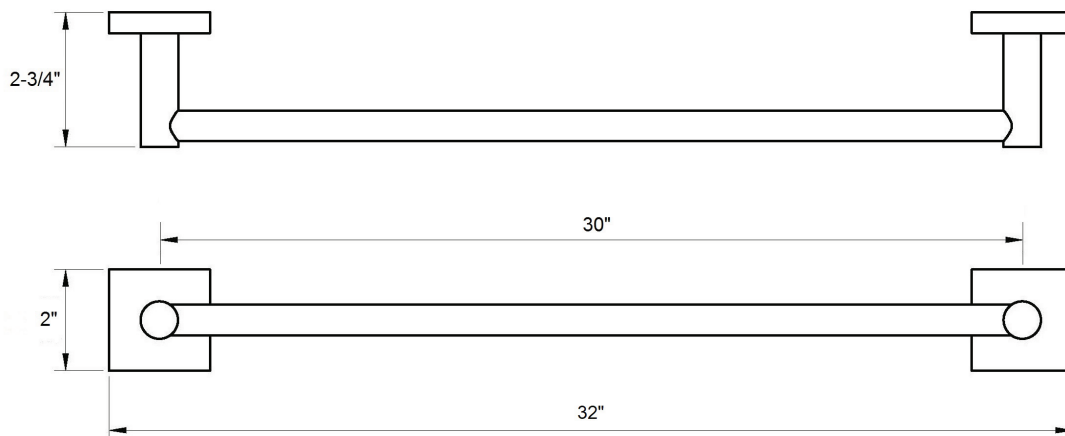
- Material: Zinc Die-cast
- Concealed Surface Mount Application
- Provided with
 - Mounting Plate
 - Plastic Anchors x 4
 - Steel Phillips Head Screws #8 x 1-1/4"
- Projection: 1-3/8" from Mounting Surface
- Overall Size: 32" x 2-1/8"

Vina
Collection



Available Finish

- Satin Nickel
- Polished Chrome
- Matte Black



Single Robe Hook

Model: BC14-21

Vina
Collection

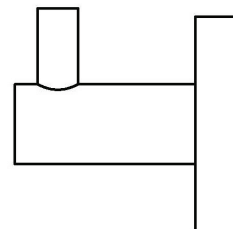
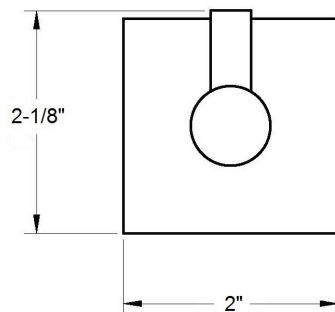
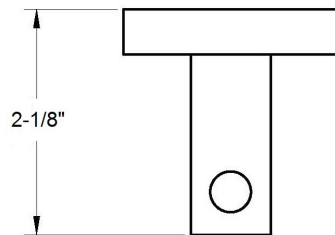
Features

- Material: Zinc Die-cast
- Concealed Surface Mount Application
- Provided with
 - Mounting Plate
 - Plastic Anchors x 2
 - Steel Phillips Head Screws #8 x 1-1/4"
- Projection: 2-1/8" from Mounting Surface
- Overall Size: 2" x 2-1/8"



Available Finish

- Satin Nickel
- Polished Chrome
- Matte Black



Metal Towel Ring

Model: BC14-32

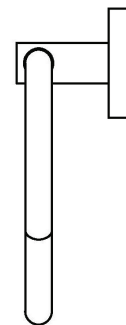
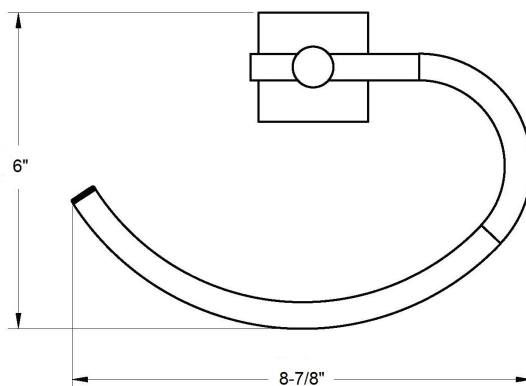
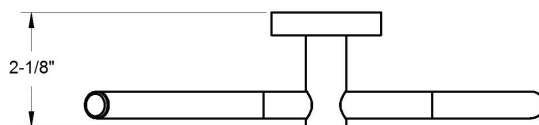
Features

- Material: Zinc Die-cast
- Concealed Surface Mount Application
- Provided with
 - Mounting Plate
 - Plastic Anchors x 2
 - Steel Phillips Head Screws #8 x 1-1/4"
- Projection: 2-1/8" from Mounting Surface
- Overall Size: 8-7/8" x 6"

Available Finish

- Satin Nickel
- Polished Chrome
- Matte Black

Vina
Collection



Surface Paper Hold

Model: BC14-42

Vina
Collection

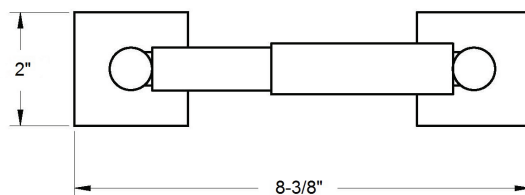
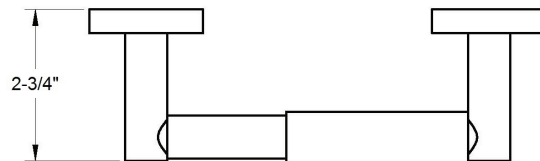
Features

- Material: Zinc Die-cast
- Concealed Surface Mount Application
- Provided with
 - Mounting Plate
 - Plastic Anchors x 2
 - Steel Phillips Head Screws #8 x 1-1/4"
- Projection: 2-1/8" from Mounting Surface
- Overall Size: 8-3/8" x 2"



Available Finish

- Satin Nickel
- Polished Chrome
- Matte Black



European-Style Paper Hold

Model: BC14-43

Vina
Collection

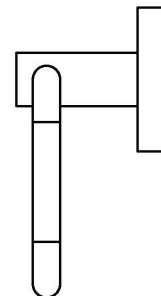
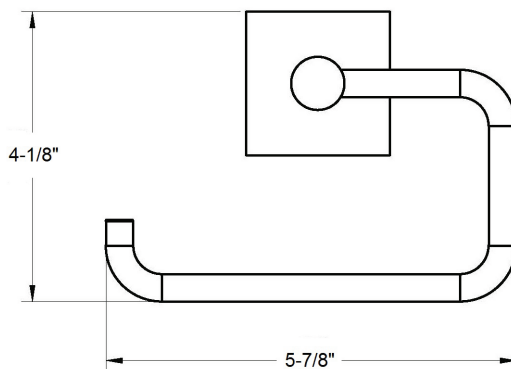
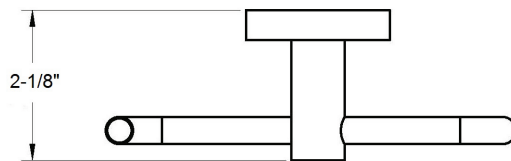
Features

- Material: Zinc Die-cast
- Concealed Surface Mount Application
- Provided with
 - Mounting Plate
 - Plastic Anchors x 2
 - Steel Phillips Head Screws #8 x 1-1/4"
- Projection: 2-1/8" from Mounting Surface
- Overall Size: 5-7/8" x 4-1/8"



Available Finish

- Satin Nickel
- Polished Chrome
- Matte Black



Straight Post Paper Hold

Model: BC14-45

Features

- Material: Zinc Die-cast
- Concealed Surface Mount Application
- Provided with
 - Mounting Plate
 - Plastic Anchors x 2
 - Steel Phillips Head Screws #8 x 1-1/4"
- Projection: 3-1/16" from Mounting Surface
- Overall Size: 8-5/8" x 2-1/16"

Vina
Collection



Available Finish

- Satin Nickel
- Polished Chrome
- Matte Black

