

Calypso

FLU Series



FEATURES & OPTIONS

Door Preparation

Cross Bore: 2-1/8", Edge: 1"

Latch Backset

Exterior: Adjustable deadlatch standard

Interior: Adjustable plainlatch standard

Faceplate

1" x 2-1/4" round corner standard
(other options available)

Bolt

1/2" throw

Door Thickness

Fit 1-3/8" to 1-3/4" standard
(extension kit available for 1-3/4" to 2-1/4" door)

Cylinder

5-pin KW keyway solid brass cylinder standard
5-pin SC "C" keyway available

Strike Plate

2-1/4" x 1-3/4" round corner full lip standard
(other options available)

Handing

Non-Handed

Material

Zinc die-cast lever

ANSI/BHMA

A 156.2 Grade 3

FINISHES

(other finishes available upon request with lead-time)

- US3 – 605 – Polished Brass
- US5 – 609 – Antique Brass
- US15 – 619 – Satin Nickel
- US26D – 626 – Satin Chrome
- US19 – 622 – Matte Black

FUNCTIONS

Entry

Both lever locked or unlocked by key outside or turn-piece inside.

Privacy

Both levers locked or unlocked by turn-piece inside. Outside lever unlocked by coin or screwdriver.

Passage

Both levers always free.

Half Dummy

For doors where only pull is required.

Entry w/Quick Release

Outside lever locked or unlocked by key. Inside lever locked by **TURN-PIECE** and always free with quick release function. No unlocking required for exit.

Privacy w/Quick Release

Outside lever locked or unlocked by coin or screwdriver. Inside lever locked by **TURN-PIECE** and always free with quick release function. No unlocking required for exit.

Entry w/ADA

Outside lever locked or unlocked by key. Inside lever locked by **PUSH-BUTTON** and always free with quick release function. No unlocking required for panic exit.

Privacy w/ADA

Outside lever lock or unlocked by coin or screwdriver. Inside lever locked by **PUSH-BUTTON** and always free with quick release function. No unlocking required for exit.

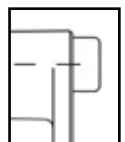
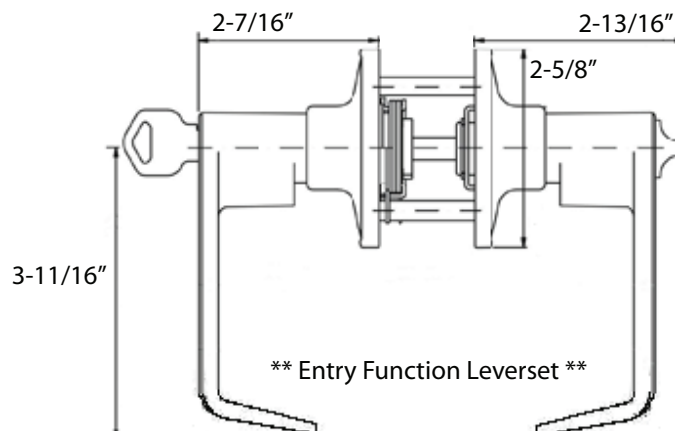
WARRANTY

- Lifetime mechanical warranty
- Five years finish warranty

CODE COMPLIANCE

Meets ADA Requirements

- Entry w/ADA
- Privacy w/ ADA



Push Button