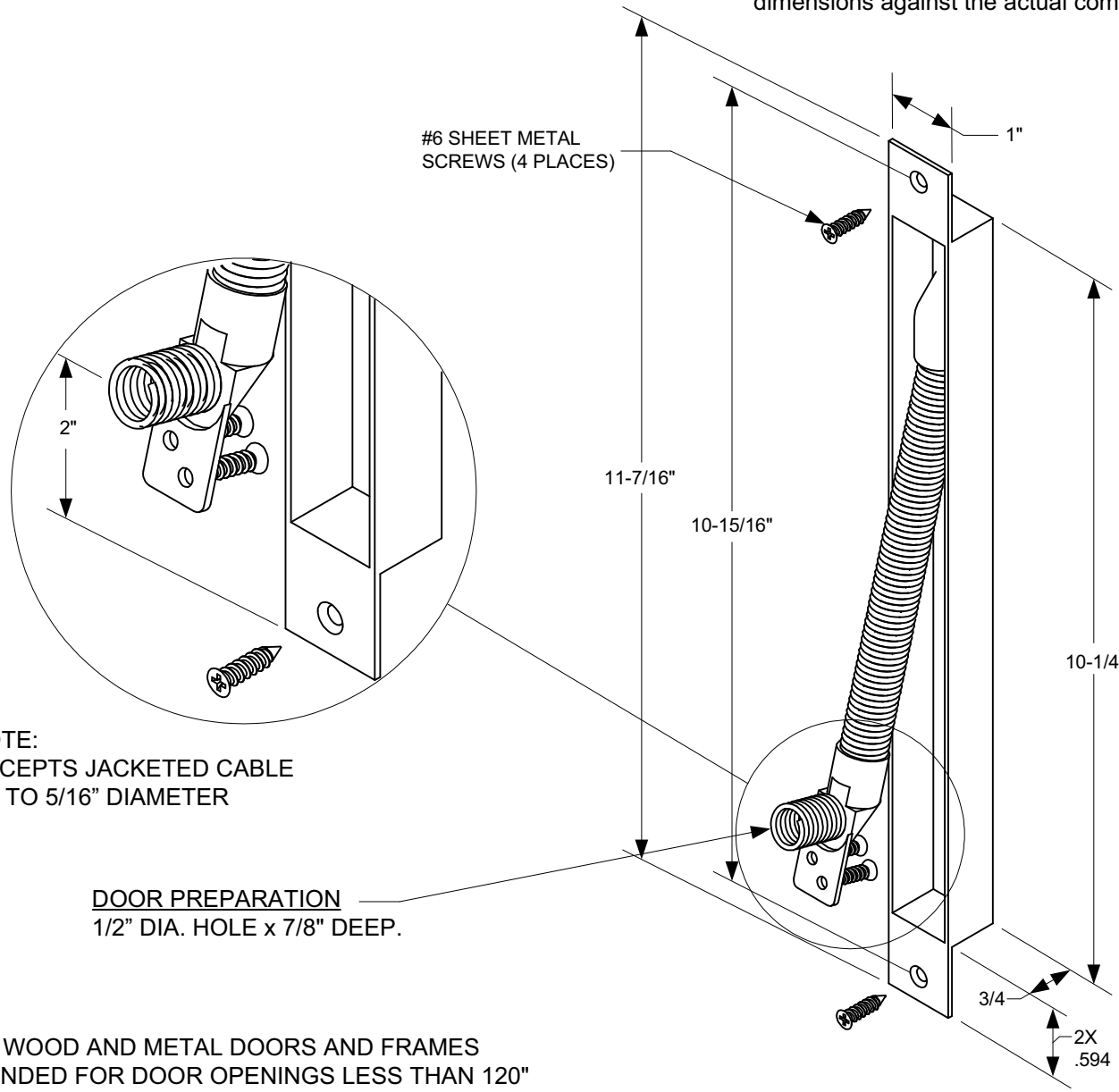


MATERIAL:
MAKE FROM 14 GA STEEL w/CHROME PLATING

NOTE: Due to various manufacturing techniques,
these dimensions may fluctuate slightly.
The field installer should double check these
dimensions against the actual component.

RECOMMENDED POSITION:
LOCATE BETWEEN TOP
AND MIDDLE HINGE
REINFORCEMENT.



#6 SHEET METAL
SCREWS (4 PLACES)

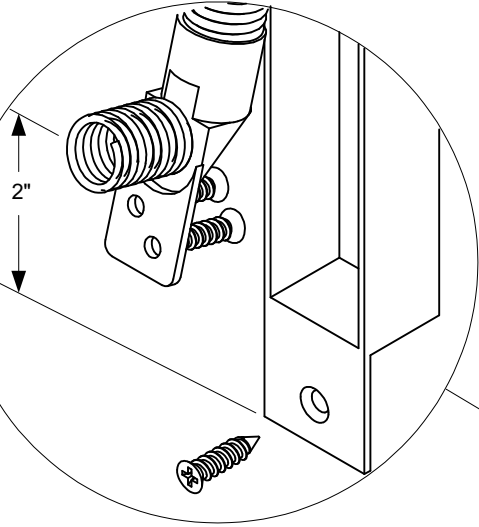
11-7/16"

10-15/16"

10-1/4"

3/4"

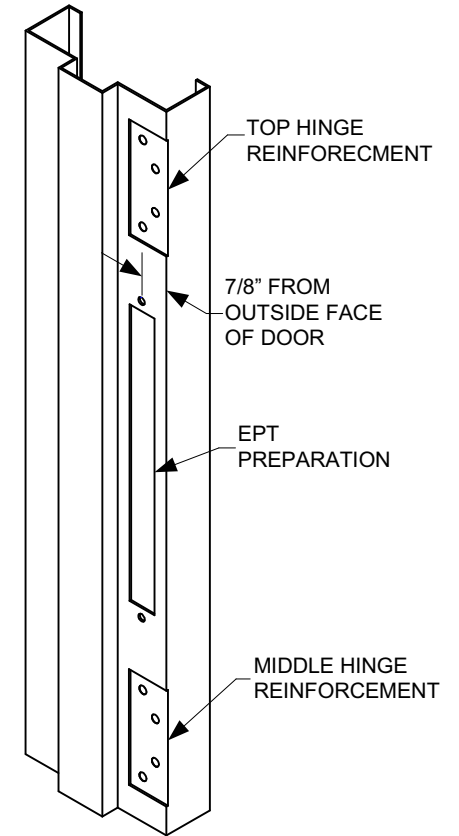
2X
.594



NOTE:
ACCEPTS JACKETED CABLE
UP TO 5/16" DIAMETER

DOOR PREPARATION
1/2" DIA. HOLE x 7/8" DEEP.

FOR WOOD AND METAL DOORS AND FRAMES
INTENDED FOR DOOR OPENINGS LESS THAN 120"
NOT INTENDED FOR CENTER HUNG DOOR APPLICATIONS



TOP HINGE
REINFORCEMENT

7/8" FROM
OUTSIDE FACE
OF DOOR

EPT
PREPARATION

MIDDLE HINGE
REINFORCEMENT

FRAME PREPARATION
10.25" L x 1.00" W x .75" D