

E902EV

Concealed Vertical Rod w/ ELR



FEATURES & OPTIONS

Voltage

24VDC @ 700 mA activation, 200 mA continuous

Door Height

For all doors up to 7'0", 8'0" or 10'0" high

Door Width

For all doors up to 36" or 48" wide

Stile

5-3/8" minimum for single doors and standard 5/8" stop

4-7/8" minimum for double doors

Material

Cover: Stainless steel, zinc

Cover Tube: Aluminum

End Cap: Zinc

Dogging

1/4" turn, hex key dogging (non-fire rated only, E9000)

Strike (Top & Bottom)

Stainless steel with plated rollers

Top strike mortised into frame

Top Latch

1/2" throw, Pullman type with automatic dead-latching,

Stainless steel

Bottom Latch

1/2" throw, Pullman type, held retracted during door swing,

Stainless steel

Mounting

Furnished standard with wood, machine screws and thru-bolts

Backset

2-3/4" standard

Handing

Non-handed

Projection

3" maximum projection, 2-5/8" when depressed

Operation

Momentary or maintained latch bolt and push pad retraction, with simultaneous dogging. Automatic re-triggering of latch retraction.

SPECIFICATIONS

Exit Device: Exit device shall be by Pamex model # E9000C for standard exit opening. All exit devices shall be modern push pad type with vertical latching, non-handed. Hex-key dogging shall be provided only on non-fire rated exit device. Exit device shall be narrow profile; projecting only 3" from the surface of the door.

WARRANTY

- Life-Time mechanical warranty
- One year electrical warranty
- Five years finish warranty



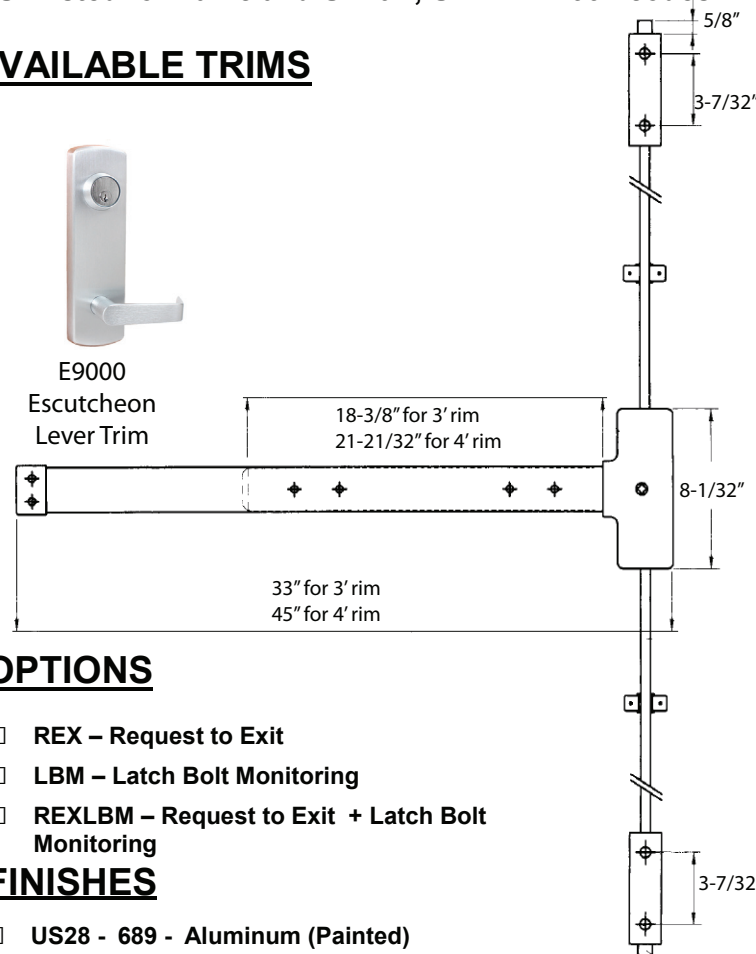
ADA



CODE COMPLIANCE

- ANSI A156.3, Grade 1
- UL listed for Panic and UL10C, UBC 7-2-1997 codes

AVAILABLE TRIMS



OPTIONS

- REX – Request to Exit
- LBM – Latch Bolt Monitoring
- REXLBM – Request to Exit + Latch Bolt Monitoring

FINISHES

- US28 - 689 - Aluminum (Painted)
- US20 - 690 - Dark Bronze (Painted)
- US32D - 630 - Stainless Steel
- 313 - 622 - Black

EF902EV

Concealed Vertical Rod w/ ELR



FEATURES & OPTIONS

Voltage

24VDC @ 700 mA activation, 200 mA continuous

Door Height

For all doors up to 7'0", 8'0" or 10'0" high

Door Width

For all doors up to 36" or 48" wide

Stile

5-3/8" minimum for single doors and standard 5/8" stop
4-7/8" minimum for double doors

Material

Cover: Stainless steel, zinc
Cover Tube: Aluminum
End Cap: Zinc

Dogging

No dogging on fire rated devices

Strike (Top & Bottom)

Stainless steel with plated rollers
Top strike mortised into frame

Top Latch

1/2" throw, Pullman type with automatic dead-latching,
Stainless steel

Bottom Latch

1/2" throw, Pullman type, held retracted during door swing,
Stainless steel

Mounting

Furnished standard with wood, machine screws and thru-bolts

Backset

2-3/4" standard

Handing

Non-handed

Projection

3" maximum projection, 2-5/8" when depressed

Operation

Momentary or maintained latch bolt and push pad retraction, with simultaneous dogging. Automatic re-triggering of latch retraction.

SPECIFICATIONS

Exit Device: Exit device shall be by Pamex model # EF900EC for standard exit opening. All exit devices shall be modern push pad type with vertical latching, non-handed and provided with thru bolts for proper installation. EF900EC is UL listed for 3 hour fire and egress. Exit device shall be narrow profile; projecting only 3" from the surface of the door

WARRANTY

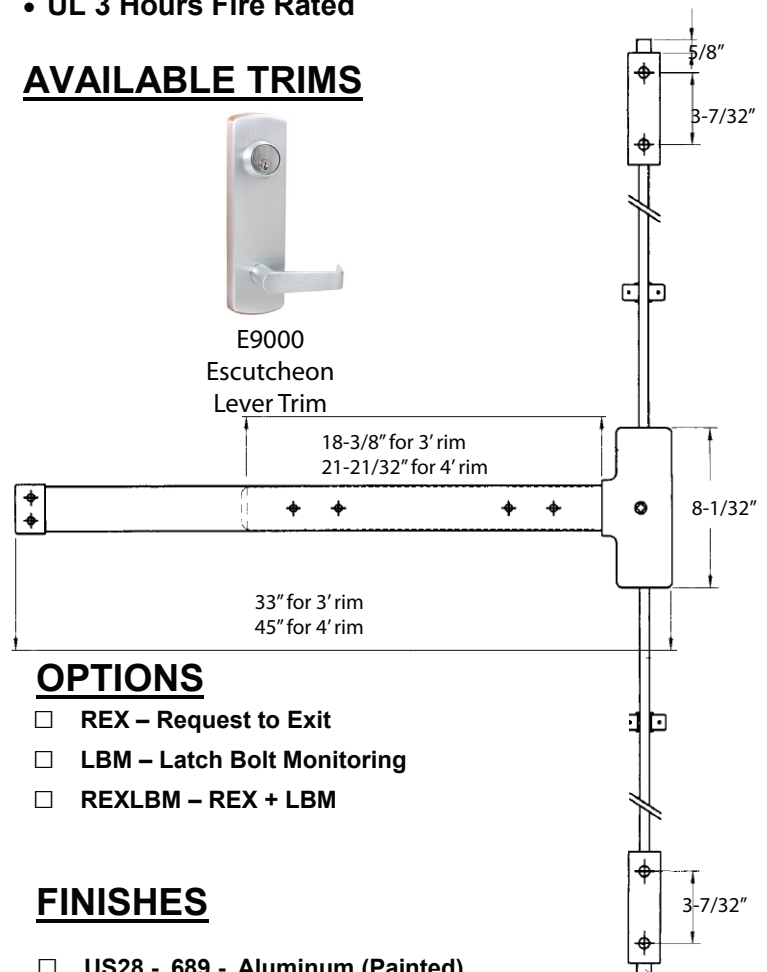
- Life-Time mechanical warranty
- One year electrical warranty
- Five years finish warranty



CODE COMPLIANCE

- ANSI A156.3, Grade 1
- UL listed for Panic and UL10C, UBC 7-2-1997 code
- UL 3 Hours Fire Rated

AVAILABLE TRIMS



OPTIONS

- REX – Request to Exit
- LBM – Latch Bolt Monitoring
- REXLBM – REX + LBM

FINISHES

- US28 - 689 - Aluminum (Painted)
- US20 - 690 - Dark Bronze (Painted)
- US32D - 630 - Stainless Steel
- 313 - 622 -Black